

**FLOOREQUIPMENTPARTS.COM**

# 5540/5560

**Automatic Floor Scrubber  
Fregadora Automática**

**Model No.:**

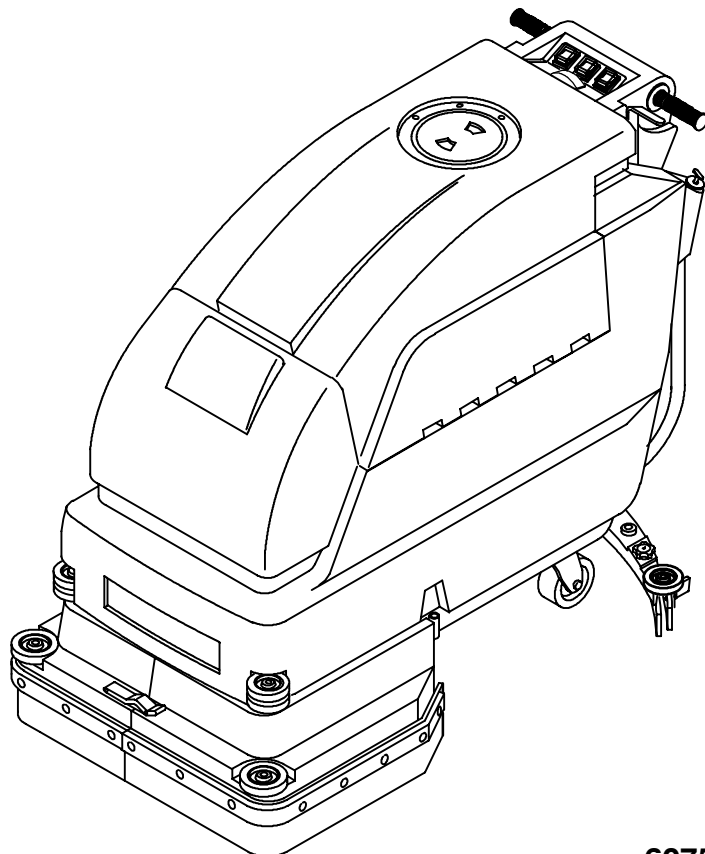
**607506 - 5540**

**607507 - 5540 Quick Ship Pack**

**607541 - 5560**

**607542 - 5560 Quick Ship Pack**

**Operator and Parts Manual  
Manual del Operador y Piezas**



**607508  
Rev. 04 (12-06)**

# OPERATION

---

This manual is furnished with each new model. It provides necessary operation and maintenance instructions and an illustrated parts list.

**Read this manual completely and understand the machine before operating or servicing it.**

Use the illustrated Parts Lists to order parts. Before ordering parts or supplies, be sure to have your machine model number and serial number handy. Parts and supplies may be ordered by phone or mail from any authorized parts and service center, distributor or from any of the manufacturer's subsidiaries.

This machine will provide excellent service. However, the best results will be obtained at minimum costs if:

- The machine is operated with reasonable care.
- The machine is maintained regularly - per the maintenance instructions provided.
- The machine is maintained with manufacturer supplied or equivalent parts.

---

## MACHINE DATA

---

Please fill out at time of installation for future reference.

Model No.- \_\_\_\_\_

Install. Date - \_\_\_\_\_

Serial No.- \_\_\_\_\_



### PROTECT THE ENVIRONMENT

Please dispose of packaging materials, old machine components such as batteries, hazardous fluids such as antifreeze and oil, in a safe environmentally way according to your local waste disposal regulations.



Always remember to recycle.

### Tennant Company

PO Box 1452

Minneapolis, MN 55440

Phone: (800) 553-8033 or (763) 513-2850

[www.tennantco.com](http://www.tennantco.com)

Specifications and parts are subject to change without notice.

Copyright ©1999, 2000, 2001, 2005, 2006 Tennant Company.

All rights reserved. Printed in U.S.A.

**TABLE OF CONTENTS (ESPAÑOL ÍNDICE....21)**

<b>SAFETY PRECAUTIONS</b> .....	<b>4</b>	<b>TRANSPORTING MACHINE</b> .....	<b>16</b>
<b>SAFETY LABELS</b> .....	<b>5</b>	<b>STORING MACHINE</b> .....	<b>16</b>
<b>MACHINE COMPONENTS</b> .....	<b>6</b>	<b>RECOMMENDED STOCK ITEMS</b> .....	<b>17</b>
<b>MACHINE INSTALLATION</b> .....	<b>7</b>	<b>TROUBLE SHOOTING</b> .....	<b>17</b>
UNCRATING MACHINE .....	7	<b>SPECIFICATIONS</b> .....	<b>19</b>
INSTALLING BATTERIES .....	7	<b>ELECTRICAL DIAGRAM</b> .....	<b>39</b>
<b>MACHINE SETUP</b> .....	<b>8</b>	<b>PARTS LIST</b> .....	<b>40</b>
ATTACHING SQUEEGEE ASSEMBLY .....	8	REPLACEMENT BRUSHES AND PAD	
INSTALLING BRUSH OR PAD DRIVERS .....	8	DRIVER GROUP .....	40
FILLING SOLUTION TANK .....	9	RECOVERY TANK GROUP .....	42
<b>MACHINE OPERATION</b> .....	<b>10</b>	CHASSIS GROUP .....	44
PRE-OPERATION CHECKS .....	10	CONTROL CONSOLE GROUP .....	46
OPERATING THE MACHINE .....	10	LEVER GROUP .....	48
WHILE OPERATING MACHINE .....	11	ELECTRICAL PANEL GROUP .....	50
CIRCUIT BREAKERS .....	12	DRIVE WHEEL GROUP .....	52
<b>DRAINING TANKS</b> .....	<b>12</b>	BRUSH DRIVE AND SOLUTION HOSE GROUP ..	54
DRAINING RECOVERY TANK .....	12	SKIRT GROUP - 5540 MODEL .....	56
DRAINING SOLUTION TANK .....	12	SKIRT GROUP - 5560 MODEL .....	57
<b>CHARGING BATTERIES</b> .....	<b>13</b>	SQUEEGEE CONTROL GROUP .....	58
<b>MACHINE MAINTENANCE</b> .....	<b>14</b>	CURVED SQUEEGEE GROUP - 5540 MODEL ..	60
DAILY MAINTENANCE .....	14	CURVED SQUEEGEE GROUP - 5560 MODEL ..	62
MONTHLY MAINTENANCE .....	15	<b>OPTIONS</b> .....	<b>64</b>
QUARTERLY MAINTENANCE .....	15	ES (EXTENDED SCRUB) KIT .....	64
BATTERY MAINTENANCE .....	15	WET PICK-UP TOOL KIT .....	66
DRIVE CHAIN MAINTENANCE .....	16		

# OPERATION

---

---


## SAFETY PRECAUTIONS

---

This machine is intended for commercial use. It is designed exclusively to scrub hard floors in an indoor environment and is not constructed for any other use. Use only recommended pads, brushes and commercially available floor cleaners intended for machine application.

All operators must read, understand and practice the following safety precautions.

The following warning alert symbol and the "FOR SAFETY" heading are used throughout this manual as indicated in their description:

 **WARNING:** To warn of hazards or unsafe practices which could result in severe personal injury or death.

**FOR SAFETY:** To identify actions which must be followed for safe operation of equipment.

---

Failure to follow these warnings may result in personal injury, electrical shock, fire or explosion.

 **WARNING:** Fire Or Explosion Hazard:

- **Never Use Flammable Liquids Or Operate Machine in Or Near Flammable Liquids, Vapors Or Combustible Dusts.**

*This machine is not equipped with explosion proof motors. The electric motors will spark upon start up and during operation which could cause a flash fire or explosion if machine is used in an area where flammable vapors/liquids or combustible dusts are present.*

- **Do Not Pick Up Flammable Materials Or Reactive Metals.**
- **Batteries Emit Hydrogen Gas. Keep Sparks And Open Flame Away. Keep Battery Compartment Open When Charging.**

 **WARNING:** Electrical Hazard. Disconnect Battery Cables Before Servicing Machine.

---

The following information signals potentially dangerous conditions to the operator or equipment:

**FOR SAFETY:**

1. **Do not operate machine:**
  - With flammable liquids or near flammable vapors as an explosion or flash fire may occur.
  - Unless trained and authorized.
  - Unless operation manual is read and understood.
  - If not in proper operating condition.
2. **Before starting machine:**
  - Make sure all safety devices are in place and operate properly.
3. **When using machine:**
  - Go slow on inclines and slippery surfaces.
  - Wear no-slip shoes.
  - Reduce speed when turning.
  - Report machine damage or faulty operation immediately.
  - Never allow children to play on or around.
  - Follow mixing and handling instructions on chemical containers.
4. **Before leaving or servicing machine:**
  - Stop on level surface.
  - Turn off machine.
5. **When servicing machine:**
  - Avoid moving parts. Do not wear loose jackets, shirts, or sleeves.
  - Block machine tires before jacking up.
  - Use hoist or jack that will support the weight of the machine.
  - Disconnect battery connections before working on machine.
  - Wear protective gloves and eye protection when handling batteries or battery cables.
  - Avoid contact with battery acid.
  - Do not power spray or hose off machine. Electrical malfunction may occur.
  - Use manufacturer supplied or approved replacement parts.
  - All repairs must be performed by a qualified service person.
  - Do not modify the machine from its original design.

6. When transporting machine:

- Turn machine off.
- Get assistance when lifting machine.
- Do not lift machine when batteries are installed.

- Use a recommended ramp when loading/unloading into/off truck or trailer.
- Use tie-down straps to secure machine to truck or trailer.

**SAFETY LABELS**

The safety labels appear on the machine in the locations indicated. Replace labels if they are missing or become damaged or illegible.

**WARNING LABEL - LOCATED ON THE RECOVERY TANK.**



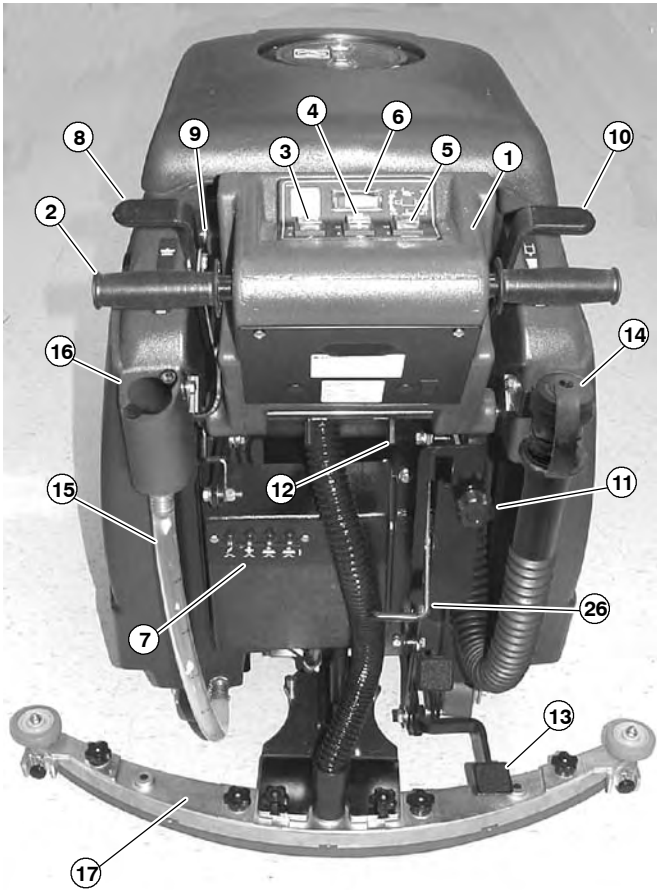
**BATTERY CHARGE LABEL - LOCATED IN BATTERY COMPARTMENT.**

**⚠ WARNING: Fire Or Explosion Hazard. Batteries Emit Hydrogen Gas. Keep Sparks And Open Flame Away. Keep Battery Compartment Open When Charging.**



# OPERATION

## MACHINE COMPONENTS



1. Control Console
2. Control Grips
3. Main ON/OFF switch
4. Vacuum ON/OFF Switch
5. Brush ON/OFF Switch
6. Battery Meter
7. Circuit Breakers
8. Squeegee Lift Lever
9. Squeegee Release Lever
10. Solution Flow Lever
11. Solution Flow Adjustment Knob
12. Adjustable Control Console Levers
13. Scrub Head Lift Foot Pedal

14. Recovery Tank Drain Hose
15. Solution Tank Drain Hose with Gallon Markers
16. Rear Fill Port
17. Squeegee Assembly
18. Recovery Tank
19. Recovery Tank Lid
20. Solution Fill Door
21. Safety Lights
22. Rear Casters
23. Skirt Housing
24. Scrub Head Skirt
25. Wall Rollers
26. Brush Pressure Lever

## MACHINE INSTALLATION

### UNCRATING MACHINE

1. Carefully check the shipping crate for signs of damage. Report damages at once to carrier.
2. Check the contents list. Contact distributor for missing items.

Contents:

- 4-6V Batteries - Optional
- 1-Battery Charger - Optional
- 1-Battery Plate (#100707)
- 3-Battery Cables (#130367)
- 1-Squeegee Assembly

*Pad drivers, brushes and pads must be purchased separately.*

3. To uncrate your machine, remove the shipping hardware and straps that secure the machine to the pallet. With assistance, carefully lift the machine off the pallet.

**ATTENTION: Do not roll machine off pallet unless a ramp is used, machine damage may occur.**

**ATTENTION: To prevent possible machine damage, install batteries after removing machine from shipping pallet.**

### INSTALLING BATTERIES

**⚠ WARNING: Fire Or Explosion Hazard. Batteries Emit Hydrogen Gas. Keep Sparks And Open Flame Away. Keep Battery Hood Open When Charging.**

**FOR SAFETY: When servicing machine, wear protective gloves and eye protection when handling batteries and battery cables. Avoid contact with battery acid.**

#### Battery Specifications:

Four 6 volt, deep cycle, 305 amp hour batteries. Part Number #606991. Maximum battery dimensions are 178mm (7 in.) W x 308mm (12.13 in.) L x 356mm (14 in.) H.

1. Turn all switches to the off position and pull out the main (10 amp) circuit breaker button as shown (Figure 1).



FIG. 1

**ATTENTION: To prevent motors from accidental starting, be certain to pull out the main circuit breaker button before installing batteries.**

2. Carefully hinge open recovery tank to access battery compartment. Remove loose battery cables from compartment (Figure 2).



FIG. 2

3. Carefully install batteries into compartment and arrange battery posts as shown (Figure 3).

**ATTENTION: Do not drop the batteries into the compartment, battery and machine housing damage may result.**

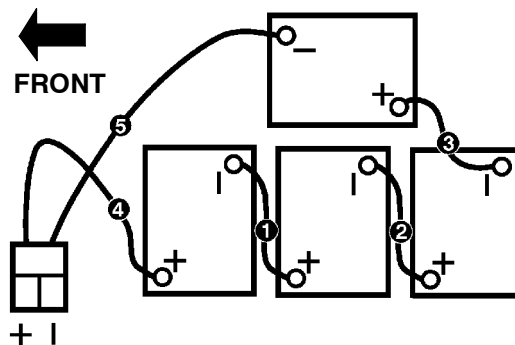


FIG. 3

4. Before connecting the battery cables, make sure the terminals and posts are clean. Use a post cleaner and wire brush if necessary.

# OPERATION

**NOTE:** Apply a light coating of non-metallic grease or protective spray on the cable connections to prevent battery corrosion.

5. Connect cables to battery posts in numerical order as labeled, RED TO POSITIVE & BLACK TO NEGATIVE (Figure 3).
6. Double check cable connections before closing up battery compartment.
7. Reset the main circuit breaker button.
8. Turn main switch on, and check battery meter charge level to ensure batteries are fully charged. If batteries need charging, see CHARGING BATTERIES.

## MACHINE SETUP

### ATTACHING SQUEEGEE ASSEMBLY

1. Turn main switch to the off position.

**FOR SAFETY: Before leaving or servicing machine, stop on level surface and turn off machine.**

2. Pull back on squeegee lift lever to raise squeegee mount bracket (Figure 4).

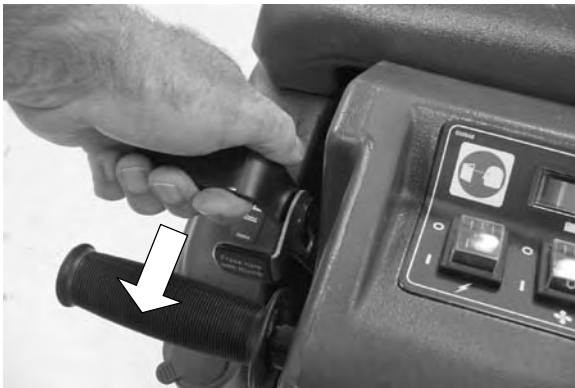


FIG. 4

3. Loosen two thumb knobs on squeegee and slide squeegee into slots at rear of squeegee mount bracket (Figure 5).

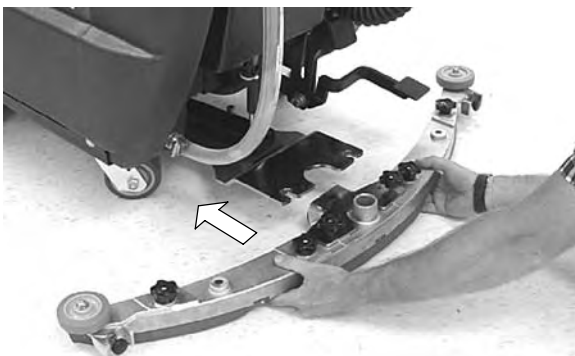


FIG. 5

4. Tighten thumb knobs securely.
5. Connect the vacuum hose from the machine to the squeegee assembly (Figure 6).

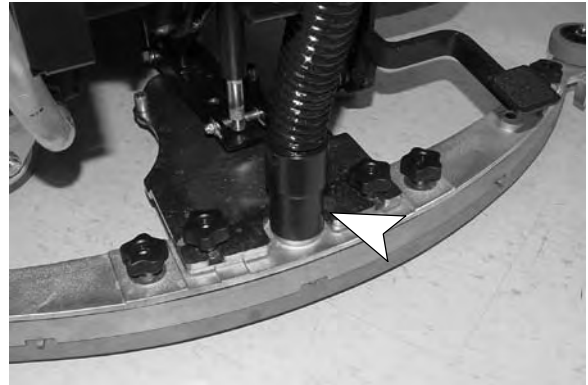


FIG. 6

### INSTALLING BRUSHES OR PAD DRIVERS

1. Turn main switch to the off position and pull out the main circuit breaker button.

**FOR SAFETY: Before leaving or servicing machine, stop on level surface and turn off machine.**

**ATTENTION: To prevent accidental starting, pull out the main circuit breaker button before installing brush or pad drivers. Circuit breaker button is located at rear of control housing.**

2. Raise scrub head. Step down firmly on bottom brush lift foot pedal to raise (Figure 7).

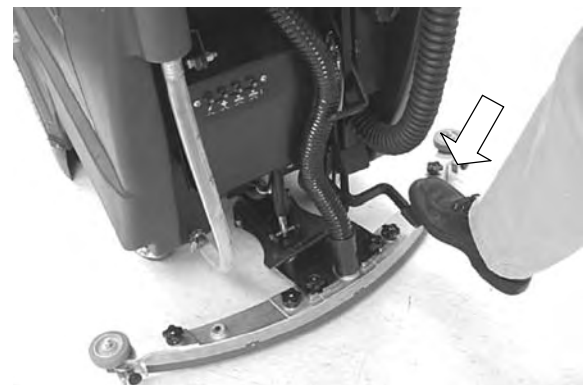


FIG. 7



- Unfasten black latch at front of machine and hinge open skirt housing to access motor hub (Figure 8).



FIG. 8

- Select recommended pad or brush that best meets your cleaning needs.

**NOTE:** Consult your authorized distributor for pad and brush recommendations.

- (For Pad Installation)** Attach pads to pad drivers before connecting drivers to motor hub. To attach pad to driver, remove plastic centerlock ring from pad driver. Position pad on pad driver and replace centerlock ring (Figure 9).



FIG. 9

- Attach brush/pad drivers to motor hubs. Align (3) mounting studs with slots in motor hub. Give driver a quick turn toward spring clip located on motor hub. Be certain pad driver is securely fastened and spring clip locks into one of the studs before operating machine (Figure 10).



FIG. 10

**NOTE:** Always make sure pad driver and motor hub surfaces are clean before installing drivers. Keeping surfaces clean will make it easier when removing pad drivers.

- Close skirt housing and refasten latch.

## FILLING SOLUTION TANK

- Transport machine to filling station. Raise squeegee and brush when transporting.
- Turn off machine.

**FOR SAFETY: Before leaving or servicing machine, stop on level surface and turn off machine.**

- Shut off solution flow. Pull solution flow lever completely back to shut off (Figure 11).



FIG. 11

- Open solution fill door at front of machine and fill solution tank with clean water, 60°C (140°F) maximum temperature. Or you can fill solution tank using hose fill port at rear of machine. Pull off plug and insert hose to fill. The clear tube below the fill port has 19L (5 gallon) increment markers to indicate amount of water in tank (Figure 12).

**NOTE:** The water must **not** be hotter than 60°C (140°F) or tank damage may occur.



FIG. 12

**NOTE:** If filling with a bucket be certain that bucket is clean. This will prevent possible solution line clogs.

# OPERATION

5. Pour a recommended cleaning detergent into the solution tank according to mixing instructions on the bottle.

**ATTENTION: Only use recommended cleaning detergents. Machine damage due to improper detergent usage will void the manufacturer's warranty.**

**⚠ WARNING: Fire or Explosion Hazard. Never Use Flammable Liquids.**

**FOR SAFETY: When using machine, follow mixing and handling instructions on chemical containers.**

---

## MACHINE OPERATION

---

**FOR SAFETY: Do not operate machine unless operator manual is read and understood.**

**⚠ WARNING: Fire or Explosion Hazard. Never Operate Machine In Or Near Flammable Liquids, Vapors Or Combustible Dusts.**

---

### PRE-OPERATION CHECKS

1. Sweep and dust mop the floor.
2. Check battery meter charge level to ensure batteries are fully charged (See CHARGING BATTERIES).
3. Check that pads or brushes are installed.
4. Check that squeegee is installed.

---

### OPERATING THE MACHINE

1. Adjust control grips to a comfortable operating height (three settings). Squeeze two levers together, located under console, to raise and lower control grips (Figure 13).

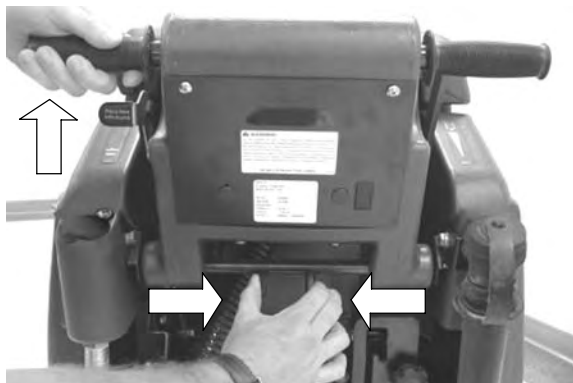


FIG. 13

2. Lower squeegee. Depress thumb lever on squeegee lift lever to lower (Figure 14).



FIG. 14

3. Lower scrub head. Depress top brush lift foot pedal forward to lower (Figure 15).

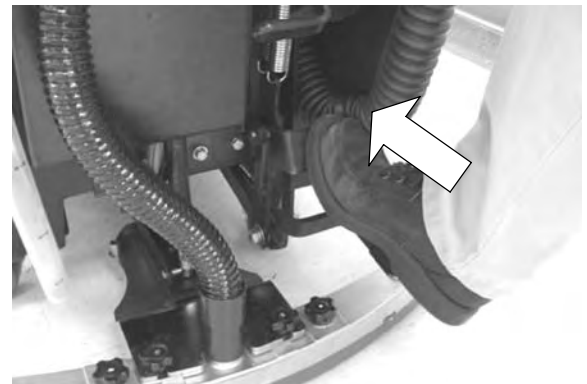


FIG. 15

4. Turn on the main, vacuum and brush switches.

**NOTE: The brush motors will not start until control grips are rotated.**

5. Activate solution flow. Push solution flow lever slightly forward to activate. The further the lever is pushed forward the more solution will flow. Push completely forward for maximum flow. Solution will immediately begin to flow once lever is activated (Figure 16).



FIG. 16

**NOTE:** To increase or decrease the maximum solution flow, turn solution flow adjustment knob (for conventional scrubbing only). Turn knob clockwise to decrease solution flow or counterclockwise to increase (Figure 17).



FIG. 17

6. Slowly rotate control grips forward to begin scrubbing. The machine will continue to gain speed the further you rotate grips. To drive machine in reverse, simply rotate control grips backwards.

**ATTENTION:** Always start machine out slowly to prevent machine from leaping forward.

7. View amount of solution flow on floor and adjust solution control lever to desired solution flow (for conventional scrubbing only).
8. To stop machine, release control grips.

## WHILE OPERATING MACHINE

**FOR SAFETY:** When using machine, go slow on inclines and slippery surfaces.

**⚠ WARNING: Fire Or Explosion Hazard. Do Not Pick Up Flammable Materials Or Reactive Metals.**

1. Overlap each scrubbing path by 2 inches (5 cm).
2. Pour a recommended foam control solution into the recovery tank if excessive foam appears.

**ATTENTION:** Do not allow foam or water to enter the float shut-off screen, vacuum motor damage will result. Foam will not activate the float shut-off screen.

3. If more scrubbing pressure is needed for small heavily soiled areas, follow steps below:
  - a. Lower brush.
  - b. Lift brush pressure lever to the locked position (Figure 18).

**NOTE:** Brush **MUST** be down to allow brush pressure lever to be lifted to the locked position. Do not leave lever in the lock position when brushes are raised.

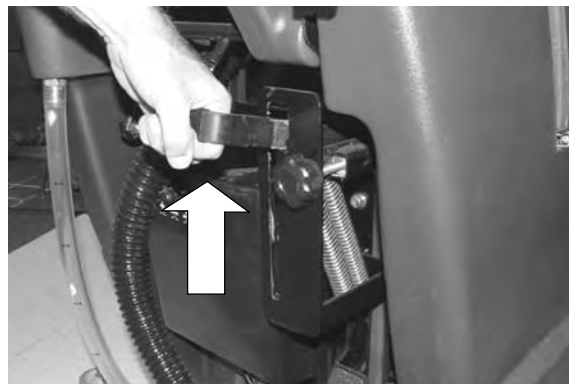


FIG. 18

4. If squeegee leaves streaks, raise and wipe blades with a cloth. Pre-sweep area to prevent streaking.
5. Before stopping or turning machine around, pull back on solution control lever to shut off solution flow.
6. During brief stops, you do not have to turn off brush switch, the brush will automatically stop when control grips are released.
7. While cleaning, view clear tube gallon marker for remaining cleaning solution. Each mark on hose indicates 19 liters (5 gal).
8. Periodically check battery meter discharge level. When needle drops to the red zone, recharge batteries.

**ATTENTION:** Do not continue to run machine when battery meter needle is in the red zone, battery damage will result.

9. When solution tank runs dry, turn off brush switch, shut off solution control lever and continue to vacuum until all dirty water is consumed. Then drain recovery tank (See DRAINING TANKS).

# OPERATION

## CIRCUIT BREAKERS

The machine is equipped with (4) circuit breakers to protect motors from damage. If circuit breakers trip, they cannot be reset immediately. Determine reason why breaker tripped, allow motor to cool and then reset. Brush motor circuit breakers will trip due to excessive overload on pad. Clean or change pad if breaker should trip. Circuit breaker buttons are located at rear of machine as shown (Figure 19).

- 10A Main Circuit Breaker
- 35A Drive Motor/Vacuum Circuit Breaker
- 35A Brush Motor Circuit Breaker (2)

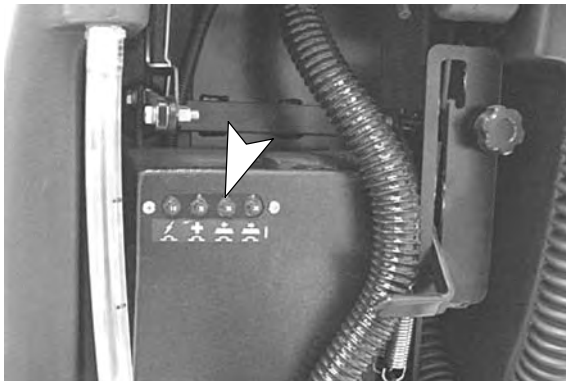


FIG. 19

**NOTE:** When servicing machine or when machine is left unattended, pull out the Main circuit breaker button. This will shut off all power to machine.

## DRAINING TANKS

The recovery tank should be drained and cleaned out after every use. The solution tank should be cleaned out periodically to remove any corrosion.

Transport the machine to a draining site, turn the key off and follow the draining instructions below:

**FOR SAFETY: Before leaving or servicing machine, stop on level surface and turn off machine.**

### DRAINING RECOVERY TANK

1. Remove drain hose from holder, position hose over floor drain and twist off drain hose cap. To completely drain recovery tank, hinge open tank and flip up tank support stand to rest tank on (Figure 20).

**NOTE:** If using a bucket to drain machine, do not use same bucket for filling solution tank. This will prevent possible solution line clogs.

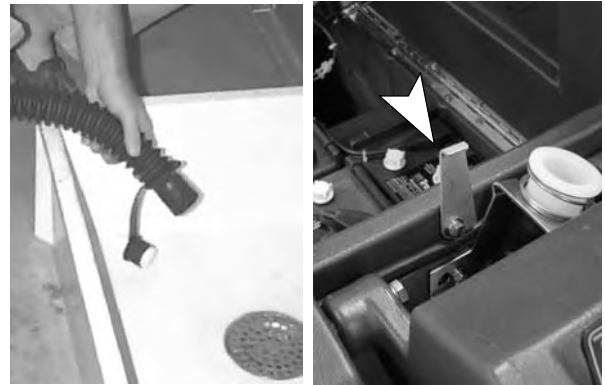


FIG. 20

2. Rinse out recovery tank after each use. This will prevent foul odor buildup. Use a hose to rinse out the recovery tank. Be careful not to spray water into shut-off float screen.

### DRAINING SOLUTION TANK

1. Pull clear hose off hose barb at rear of machine and drain solution into floor drain or bucket (Figure 21).



FIG. 21

2. Rinse out solution tank with clean water after each use and flush out solution flow system by pushing solution flow lever forward. This will prevent clogging due to chemical buildup. Use clear hose to drain solution tank.
3. Reconnect clear hose to hose barb. Be certain hose is completely pushed onto hose barb.

## CHARGING BATTERIES

**ATTENTION:** To prolong the life of the batteries and to provide optimum machine performance, **ONLY** recharge the batteries after a total of 30 minutes of use or more. Do not leave batteries discharged for lengthy periods.

The following charging instructions are intended for battery chargers supplied with the machine. Only use a battery charger with the following specifications to prevent battery damage.

### BATTERY CHARGER SPECIFICATIONS:

- CHARGER TYPE: FOR LEAD ACID BATTERIES
- OUTPUT VOLTAGE - 24 VOLTS
- OUTPUT CURRENT - 25 AMPS
- AUTOMATIC SHUT-OFF CIRCUIT
- FOR DEEP CYCLE BATTERY CHARGING

1. Transport machine to a well ventilated area for charging.

**⚠ WARNING: Fire Or Explosion Hazard. Batteries Emit Hydrogen Gas. Keep Sparks And Open Flame Away. Keep Battery Compartment Open When Charging.**

2. Before charging the batteries, check the electrolyte level in each battery cell (Figure 22).

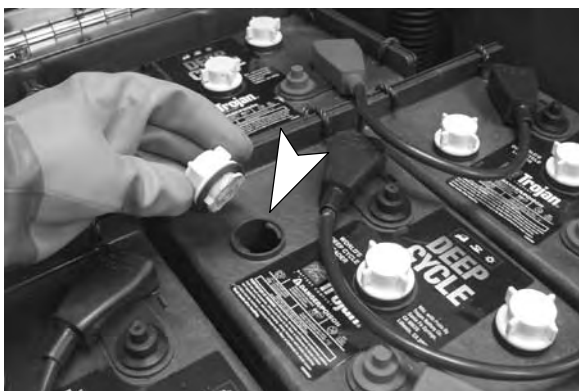


FIG. 22

**FOR SAFETY:** When servicing machine, wear protective gloves and eye protection when handling batteries and battery cables. Avoid contact with battery acid.

The electrolyte level (A) should slightly cover the battery plates (B). Add distilled water as needed. **DO NOT OVERFILL**, the fluid may expand and overflow while charging. Replace cell caps before charging (Figure 23).

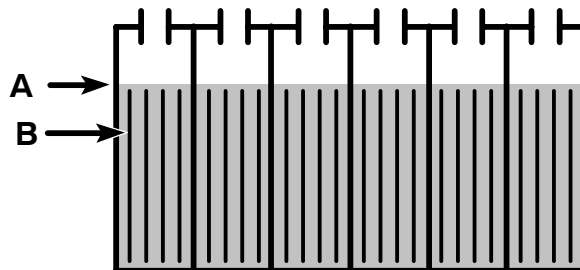


FIG. 23

3. Connect the charger's AC power supply cord to a properly grounded receptacle (Figure 24).

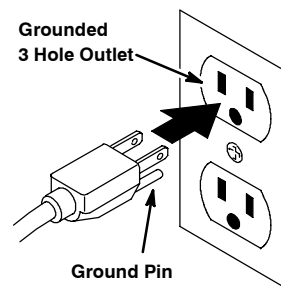


FIG. 24

4. Plug charger's DC output connector to battery connector located near battery compartment (Figure 25).



FIG. 25

5. The charger will automatically begin charging and shut off when fully charged.

## OPERATION

- Rest the recovery tank on the support stand to promote ventilation during charging (Figure 26).

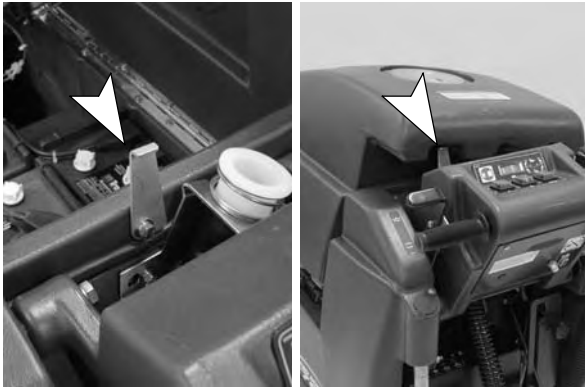


FIG. 26

**ATTENTION:** Do not disconnect the charger's DC cord from the machine's receptacle when the charger is operating. Arcing may result. If the charger must be interrupted during charging, disconnect the AC power supply cord first.

**⚠ WARNING: Fire Or Explosion Hazard. Batteries Emit Hydrogen Gas. Keep Sparks And Open Flame Away. Keep Battery Compartment Open When Charging.**

- Lead Acid Batteries: After charging, check the electrolyte level (A) again. The level should be approximately 1 cm from the bottom of the fill-port (B) (Figure 27). Add distilled water if needed. **DO NOT OVERFILL.**

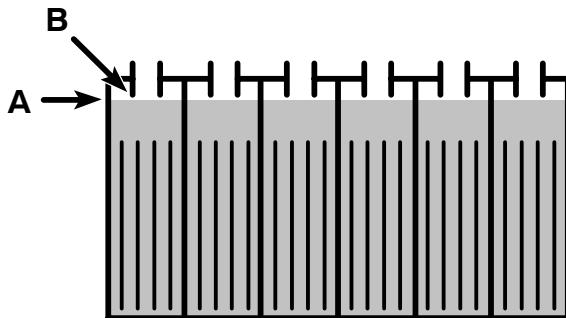


FIG. 27

## MACHINE MAINTENANCE

To keep the machine in good working condition, simply follow the daily, monthly and quarterly maintenance procedures.

**⚠ WARNING: Electrical Hazard. Disconnect Battery Cables Before Servicing Machine.**

### DAILY MAINTENANCE (After Every Use)

- Remove and clean pads or brushes. Never use soiled pads when cleaning. Replace pads when they become loaded with residue.
- Remove and clean lint from float shut-off screen located in recovery tank (Figure 28).



FIG. 28

- Drain and rinse tanks thoroughly. After draining tanks, hinge recovery tank until you can see vacuum intake hole at rear of tank. Remove any clogging debris in hole if necessary.
- Raise squeegee and wipe it down with a dry cloth. Store squeegee in the up position to prevent squeegee damage.
- Clean machine housing with a nonabrasive, non-solvent cleaner.

**FOR SAFETY: When cleaning machine, do not power spray or hose off machine. Electrical malfunction may occur.**

- Recharge the batteries after a total of 30 minutes of use or more (See CHARGING BATTERIES).

## MONTHLY MAINTENANCE (Every 80 Hours of Use)

1. Check water level in battery cells (See BATTERY MAINTENANCE).
2. Clean battery tops to prevent corrosion (See BATTERY MAINTENANCE).
3. Check for loose or corroded battery cables.
4. Check drive chain for excess slack and lubricate with a water resistant grease. If chain needs tightening, see DRIVE CHAIN MAINTENANCE.
5. Lubricate axle and caster grease fittings with a water resistant grease.
6. Lubricate all linkage pivot points with silicone spray then coat with a water resistant grease to maintain a smooth operation.
7. Check machine for water leaks and loose nuts and bolts.

## QUARTERLY MAINTENANCE (Every 250 Hours of Use)

Inspect motors for carbon brush wear. Replace brushes when worn to a length of 10mm (0.38 in.) or less. Contact an Authorized Service Center for carbon brush inspection.

Contact an Authorized Service Center for motor maintenance.

## BATTERY MAINTENANCE

**⚠ WARNING: Fire Or Explosion Hazard. Batteries Emit Hydrogen Gas. Keep Sparks And Open Flame Away. Keep Battery Compartment Open When Charging.**

**FOR SAFETY: When servicing machine, wear protective gloves and eye protection when handling batteries and battery cables. Avoid contact with battery acid.**

1. Check the specific gravity using a hydrometer to determine the charge level and the condition of the batteries (Figure 29). If one or more of the battery cells read lower than the other battery cells (0.050 or more), the cell is damaged, shorted, or is about to fail. Check the hydrometer readings against the following chart to determine the remaining battery charge level.

**NOTE:** Do not take readings immediately after adding distilled water. If the water and acid are not thoroughly mixed, the readings may not be accurate.

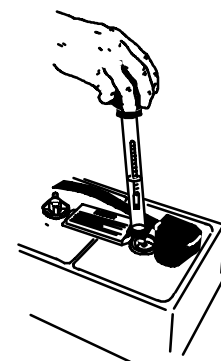


FIG. 29

SPECIFIC GRAVITY at 27°C (80°F)	BATTERY CHARGE
1.265	100% CHARGED
1.223	75% CHARGED
1.185	50% CHARGED
1.148	25% CHARGED
1.110	DISCHARGED

**NOTE:** If the readings are taken when the battery electrolyte is any temperature other than 27°C (80°F), the reading must be temperature corrected. Add or subtract to the specific gravity reading 0.004, 4 points, for each 6°C (43°F) above or below 27°C (80°F).

2. Always follow proper charging instructions (See CHARGING BATTERIES).
3. Check the electrolyte level (A) in each battery cell **after charging batteries**. The level should be approximately 1 cm from the bottom of the fill-port (B). Add distilled water if needed (Figure 30). **DO NOT OVERFILL.**

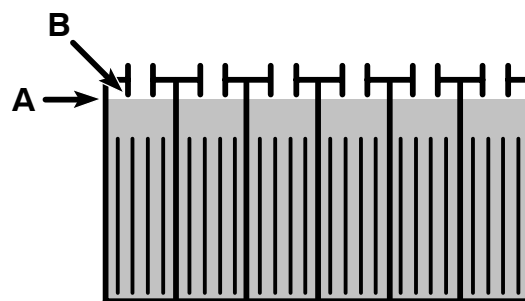


FIG. 30

4. Keep the battery tops clean to prevent battery corrosion.  
To clean batteries:

**FOR SAFETY: When servicing machine, wear protective gloves and eye protection when handling batteries and battery cables. Avoid contact with battery acid.**

## OPERATION

---

- a. Mix a strong solution of baking soda and water (Figure 31).



FIG. 31

- b. Brush the solution sparingly over the battery tops and cable connectors.

**NOTE:** Do not allow baking soda solution to enter battery cells.

- c. Use a wire brush to clean the battery terminals and cable connectors.
  - d. After cleaning, apply a coating of clear battery post protectant to the terminals and cable connectors.
5. Check for loose or worn cables. Replace if worn.

---

### DRIVE CHAIN MAINTENANCE

**FOR SAFETY:** Before leaving or servicing machine, stop on level surface and turn off machine.

Inspect drive chain for proper tension. Chain should flex between 6.35mm (0.25 in.) and 12.7mm (0.50 in.) from center. If chain flexes more than 12.7mm (0.50 in.), chain should be tightened. To tighten chain, follow steps below:

1. Turn main switch to the off position and pull out the main circuit breaker button.
2. From operators right side of machine, locate and loosen 4 motor mount bolts, do not remove bolts.
3. Loosen locking nut on tension bolt (Figure 32).

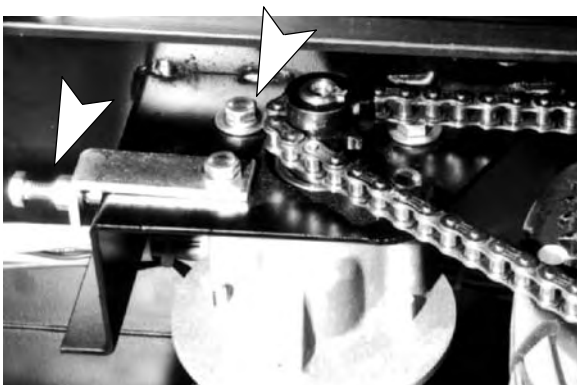


FIG. 32

4. Turn tension bolt clockwise until chain is taut.
5. Retighten locking nut and 4 motor mount screws.
6. Lubricate chain with a water resistant oil.

---

### TRANSPORTING MACHINE

---

When transporting machine by use of trailer or truck, be certain to follow tie-down procedures below:

**FOR SAFETY:** When using machine, go slow on inclines and slippery surfaces.

1. Remove squeegee from machine and raise brush head. Leave pad or brush installed.
2. Load machine using a recommended loading ramp.
3. Position front of machine up against front of trailer or truck. Once machine is positioned, lower brush head.
4. Place a block behind the drive wheel and the rear casters.
5. Place tie-down straps over top of machine and secure straps to floor. It may be necessary to install tie-down brackets to the floor of your trailer or truck.

---

### STORING MACHINE

---

1. Before storing machine, be certain to flush tanks and drain machine of all water.
2. Store machine in a dry area with squeegee removed and pad driver in the raised position.
3. Remove recovery lid to promote air circulation.
4. When storing machine for short periods, raise pad driver and squeegee off floor to prevent damage.


**ATTENTION:** If storing machine in freezing temperatures, be certain to drain machine of all water. Damage due to freezing temperatures is not covered by warranty.

**ATTENTION:** Do not expose machine to rain; store indoors.



## RECOMMENDED STOCK ITEMS

Refer to the Parts List section for recommended stock items. Stock Items are clearly identified with a bullet preceding the parts description. See example below:



Ref.	Part No.	Description	Qty.
1	701103	ARM, STANDPIPE	1
2	180618	•FLOAT, SHUTOFF	1
3	230187	NIPPLE	1
4	101714	•GASKET	1
5	210240	NUT, FLANGED	1

## TROUBLE SHOOTING

PROBLEM	CAUSE	SOLUTION
No power, nothing runs.	Batteries need charging.	See CHARGING BATTERIES.
	Faulty battery(s).	Replace battery(s).
	Loose battery cable.	Tighten loose cable.
	Battery connection is improper.	See INSTALLING BATTERIES.
	Faulty Main switch	Contact Service Center.
	Main circuit breaker has tripped.	Determine cause and reset circuit breaker button.
Brush motor does not run.	Brush circuit breakers have tripped, or has been pulled out.	Clean or change to a less aggressive pad. Also, release brush pressure lever if it's in the up position. Reset breaker button.
	Control grips are not twisted.	Control grips must be twisted to activate brushes.
	Faulty brush motor or wiring.	Contact Service Center.
	Faulty brush switch.	Contact Service Center.
	Carbon brushes worn.	Contact Service Center.
	Faulty solenoid.	Contact Service Center.
Vacuum motor does not run.	Vacuum circuit breaker has tripped.	Remove obstruction and reset breaker.
	Faulty vacuum switch.	Contact Service Center.
	Faulty vacuum motor or wiring.	Contact Service Center.
	Faulty solenoid.	Contact Service Center.
	Carbon brushes worn.	Contact Service Center.
Short run time.	Batteries not fully charged.	Charge batteries.
	Bad cell in one or more batteries.	Replace battery.
	Batteries need maintenance.	See BATTERY MAINTENANCE.
	Faulty charger.	Replace battery charger.

# OPERATION

## TROUBLE SHOOTING -continued

PROBLEM	CAUSE	SOLUTION
Poor squeegee pick up.	Recovery tank is full.	Empty recovery tank.
	Ball float shutoff screen inside recovery tank is clogged.	Remove screen and clean.
	Squeegee is clogged with debris.	Clean squeegee.
	Squeegee blades are worn.	Replace squeegee blades.
	Squeegee thumbscrews are loose.	Tighten thumbscrews.
	Vacuum hose connections are loose or hose has a hole.	Push hose cuffs firmly on connections. Replace hose if damaged.
	Vacuum hose is clogged with debris.	Remove clogged debris.
	Recovery tank water inlet is plugged. Inlet is located at bottom of recovery tank.	Empty recovery tank and tilt it sideways to locate inlet hole, remove clogged debris.
	Tank gasket is defective.	Replace gasket.
	Drain hose plug is loose.	Tighten drain plug.
	Clear recovery tank lid is loose.	Tighten lid.
	Vacuum motor is loose.	Contact Service Center.
	Battery charge is low.	Charge batteries. Do not run machine when battery meter is in the red zone.
Drive motor does not run.	Main circuit breaker has tripped or is pulled.	Determine cause and reset breaker.
	Faulty Main switch.	Contact Service Center.
	Faulty speed control circuit board or connection.	Contact Service Center.
	Faulty solenoid.	Contact Service Center.
	Faulty wiring.	Contact Service Center.
	Faulty drive motor.	Contact Service Center.
	Worn carbon brushes.	Contact Service Center.
Drive motor runs, but not correctly.	Faulty potentiometer or speed control board.	Contact Service Center.
	Faulty resistor.	Contact Service Center.
Little or no solution flow.	Solution flow lever in not activated.	Push solution flow lever forward.
	Solution line or filter is clogged.	Remove hose and blow compressed air through it. Flush solution tank after each use.
	Solution valve is clogged.	Remove valve and clean. Do not scratch or damage inside of valve.
	Solution flow adjustment knob needs adjusting.	Turn solution flow knob clockwise to increase flow.
Safety lights do not work.	Flasher is burned out.	Contact Service Center.

**SPECIFICATIONS**

<b>MODEL</b>	<b>5540</b>	<b>5560</b>
LENGTH	1500 mm (59 in.)	1500 mm (59 in.)
WIDTH	740 mm (29 in.)	890 mm (35 in.)
HEIGHT	1040 mm (41 in.)	1040 mm (41 in.)
WEIGHT - WITH BATTERIES	352kg (760 lbs)	355kg (765 lbs)
TANKS CAPACITY	102L (27 Gal)	102L (27 Gal)
SPEED CONTROL	VARIABLE FWD/REV	VARIABLE FWD/REV
CLEANING SPEED (MAX.)	2787 sq. m. (30,000 sq. ft.)/hr.	3251 sq. m. (35,000 sq. ft.)/hr.
CLEANING PATH WIDTH	680 mm (27 in.)	830 mm (33 in.)
PAD DIAMETER	2 - 355 mm (14 in.)	2 - 430 mm (17 in.)
SQUEEGEE WIDTH	965 mm (38 in.)	1067 mm (42 in.)
DRIVE MOTOR	.5 h.p., 0-1800 rpm, 24V, 10A	.5 h.p., 0-1800 rpm, 24V, 10A
BRUSH MOTOR	2 - .75 h.p., 220 rpm, 24V, 20A, 550W	2 - .75 h.p., 220 rpm, 24V, 20A, 550W
VACUUM MOTOR	.75 h.p., 3-stage 5.7", 24V, 21A, 550W	.75 h.p., 3-stage 5.7", 24V, 21A, 550W
WATER LIFT	1720 mm (68 in.)	1720 mm (68 in.)
BATTERIES	4-305A/hr, 6V deep cyc	4-305A/hr, 6V deep cyc
RUN TIME on full charge	4.76 Hours	4.76 Hours
DECIBEL RATING AT OPERATOR'S EAR, INDOORS ON TILE.	<70dB(A)	<70dB(A)



Este manual se incluye en todos los modelos nuevos. Proporciona la información necesaria para su utilización y mantenimiento.

**Lea todo el manual detenidamente para comprender la máquina antes de utilizarla o revisarla.**

Use la Lista de Piezas incluida en este manual al ordenar piezas de repuesto. Antes de ordenar piezas o suministros, asegúrese de tener el número de modelo y el número de serie de su máquina. Las piezas y los suministros pueden ordenarse por teléfono o por correo de cualquier centro autorizado de piezas y servicios, distribuidor de piezas o de cualquier subsidiaria del fabricante.

Esta máquina le proporcionará excelentes resultados. Sin embargo, los resultados serán óptimos a un coste mínimo si:

- Utiliza la máquina con un cuidado razonable.
- Realiza las operaciones de mantenimiento de acuerdo con las instrucciones adjuntas.
- Las operaciones de mantenimiento de la máquina se realizan con piezas suministradas por el fabricante o equivalentes.

## DATOS DE LA MÁQUINA

Por favor complete al momento de la instalación para referencia futura.

No. de Modelo- \_\_\_\_\_

Fecha de instalación - \_\_\_\_\_

No. de Serie- \_\_\_\_\_

## ÍNDICE

<b>MEDIDAS DE SEGURIDAD</b> .....	<b>22</b>	<b>TRANSPORTE DE LA MÁQUINA</b> .....	<b>35</b>
<b>ETIQUETAS DE SEGURIDAD</b> .....	<b>23</b>	<b>ALMACENAMIENTO DE LA MÁQUINA</b> .....	<b>36</b>
<b>COMPONENTES DE LA MÁQUINA</b> .....	<b>24</b>	<b>ARTÍCULOS RECOMENDADOS A</b>	
<b>INSTALACIÓN DE LA MÁQUINA</b> .....	<b>25</b>	<b>MANTENER EN EXISTENCIA</b> .....	<b>36</b>
DESEMBALADO DE LA MÁQUINA .....	25	<b>LOCALIZACIÓN DE AVERÍAS</b> .....	<b>36</b>
INSTALACIÓN DE LAS BATERÍAS .....	25	<b>ESPECIFICACIONES</b> .....	<b>38</b>
<b>PREPARACIÓN DE LA MÁQUINA</b> .....	<b>26</b>	<b>DIAGRAMA ELECTRICO</b> .....	<b>39</b>
FIJACIÓN DEL CONJUNTO DE LA		<b>LISTA DE PIEZAS</b> .....	<b>40</b>
ESCOBILLA DE GOMA .....	26	CEPILLO DEL REEMPLAZO Y GRUPO	
INSTALACIÓN DE LOS CEPILLOS O DE LOS		DEL MANDO DE LA ALMOHADILLA .....	40
IMPULSORES DE LAS ALMOHADILLAS .....	26	CONJUNTO DESPOSITO RECUPERAR .....	42
LLENADO DEL DEPÓSITO DE LA DISOLUCIÓN . . .	28	CONJUNTO TELAIO .....	44
<b>FUNCIONAMIENTO DE LA MÁQUINA</b> .....	<b>28</b>	CONJUNTO CONSOLA DE CONTROLES .....	46
COMPROBACIONES PREVIAS A LA		CONJUNTO DE PALANCAS .....	48
PUESTA EN FUNCIONAMIENTO .....	28	CONJUNTO CONSOLA ELÉCTRICO .....	50
UTILIZACIÓN DE LA MÁQUINA .....	28	CONJUNTO RUEDA DE MANDO .....	52
DURANTE LA UTILIZACIÓN DE LA MÁQUINA .....	30	ACCIONAMIENTO DEL CEPILLO Y GRUPO	
CORTACIRCUITOS .....	30	DE MANGUERA DE SOLUCIÓN .....	54
<b>VACIADO DE LOS DEPÓSITOS</b> .....	<b>31</b>	CONJUNTO JUEGO - MODELO 5540 .....	56
VACIADO DEL DEPÓSITO DE RECUPERACIÓN ...	31	CONJUNTO JUEGO - MODELO 5560 .....	57
VACIADO DEL DEPÓSITO DE LA DISOLUCIÓN ...	31	GRUPO DE CONTROL DE LA ESCOBILLA	
<b>CARGA DE LAS BATERÍAS</b> .....	<b>31</b>	DE GOMA .....	58
<b>MANTENIMIENTO DE LA MÁQUINA</b> .....	<b>33</b>	CONJUNTO PALETA ENCORUADO - MODELO 5540	60
MANTENIMIENTO DIARIO .....	33	CONJUNTO PALETA ENCORUADO - MODELO 5560	62
MANTENIMIENTO MENSUAL .....	33	<b>OPCIONES</b> .....	<b>64</b>
MANTENIMIENTO TRIMESTRAL .....	34	ES (FREGADO PROLONGADO) JUEGO .....	64
MANTENIMIENTO DE LA BATERÍAS .....	34	KIT DE HERRAMIENTA MOJADO .....	66
MANTENIMIENTO DE LA CADENA DE IMPULSIÓN .	35		

---


## MEDIDAS DE SEGURIDAD

---

Esta máquina está diseñada para el uso comercial. Se ha diseñado exclusivamente para limpiar pisos duros en un ambiente interior y no se fabrica para ningún otro uso. Use sólo limpiadores recomendados de pisos comercialmente disponibles para la aplicación de la máquina.

Todos los operadores deben leer, entender y practicar las precauciones siguientes de seguridad.

El siguiente símbolo de alerta de advertencia y el encabezamiento de "PARA SU SEGURIDAD" se usan en este manual como se indica en su descripción:

 **ADVERTENCIA:** Para advertir de riesgos o prácticas inseguras que podrían resultar en lesiones personales graves o la muerte.

**PARA SU SEGURIDAD:** Para identificar acciones que deben seguirse para el funcionamiento seguro del equipo.

---


El no cumplimiento de estas advertencias puede causar lesiones personales, descargas eléctricas, incendios y explosiones.

 **ADVERTENCIA:** Peligro de incendio o explosión:

- Nunca utilice líquidos inflamables ni haga funcionar la máquina en las proximidades de líquidos, vapores o polvos inflamables.

*La máquina no está equipada con motores a prueba de explosiones. Los motores eléctricos producirán chispas tanto durante el arranque y como durante su utilización que pueden provocar incendios o explosiones si utiliza la máquina en presencia de líquidos o vapores inflamables o partículas combustibles.*

- No recoja materiales inflamables ni metales reactivos.
- Las baterías emiten hidrógeno. Mantenga chispas y llamas alejadas de la máquina. Mantenga el compartimento de la batería abierto mientras realiza la operación de carga.

 **ADVERTENCIA:** Peligro eléctrico. Desconecte los cables de la batería antes de realizar reparaciones en la máquina.

---

La información siguiente señala condiciones potencialmente peligrosas para el operador o el equipo:

**PARA SU SEGURIDAD:**

1. No opere la máquina:
  - Con líquidos inflamables o cerca de los vapores inflamables ya que puede ocurrir una explosión o fuego explosivo.
  - A menos que está capacitado y autorizado.
  - A menos que se haya leído y entendido el manual del funcionamiento.
  - Si no está en condición de ejecutar una operación apropiada.
2. Antes de arrancar la máquina:
  - Asegúrese que todos los dispositivos de seguridad están en su lugar y operando apropiadamente.
3. Al usar máquina:
  - Avance lentamente en las cuestas y superficies resbaladizas.
  - Use zapatos antiresbalosos.
  - Reduzca la velocidad al realizar giros.
  - Informe inmediatamente acerca de daños o una operación defectuosa de la máquina.
  - Nunca permita que los niños jueguen en o alrededor de la máquina.
  - Siga las instrucciones de mezcla y manejo indicados en los recipientes químicos.
4. Antes de salir de o reparar la máquina:
  - Deténgala en una superficie nivelada.
  - Apague la máquina.
5. Al prestar servicio a la máquina:
  - Evite las piezas móviles. No use chaquetas, camisas, o mangas, holgadas.
  - Bloquee las ruedas de la máquina antes de alzar.
  - Use ganchos o gatos para soportar el peso de la máquina.
  - Desconecte las conexiones de la batería antes de trabajar en la máquina.
  - Utilice guantes y gafas de protección al trabajar con las baterías o sus cables.
  - Evite el contacto con el ácido de la batería.
  - No moje la máquina rociándola o utilizando una manguera. Pueden producirse fallos eléctricos.
  - Use piezas de repuesto provistas o aprobadas por el fabricante.
  - Todas las reparaciones deben ser realizadas por una persona de servicio calificada.
  - No modifique la máquina de su diseño original.

## 6. Al transportar máquina:

- Apague la máquina.
- Obtenga ayuda al alzar la máquina.
- No alce la máquina al instalar las baterías.

- Use una rampa recomendada al cargar/descargar al/fuera del camión o remolque .
- Use correas de amarre para asegurar la máquina al camión o remolque.

## ETIQUETAS DE SEGURIDAD

Los adhesivos de seguridad se encuentran en las posiciones indicadas a continuación. Sustituya los adhesivos si se han desprendido, están deteriorados o son ilegibles.

### ETIQUETA DE ADVERTENCIA - LOCALIZADA EN EL TANQUE DE RECUPERACION.



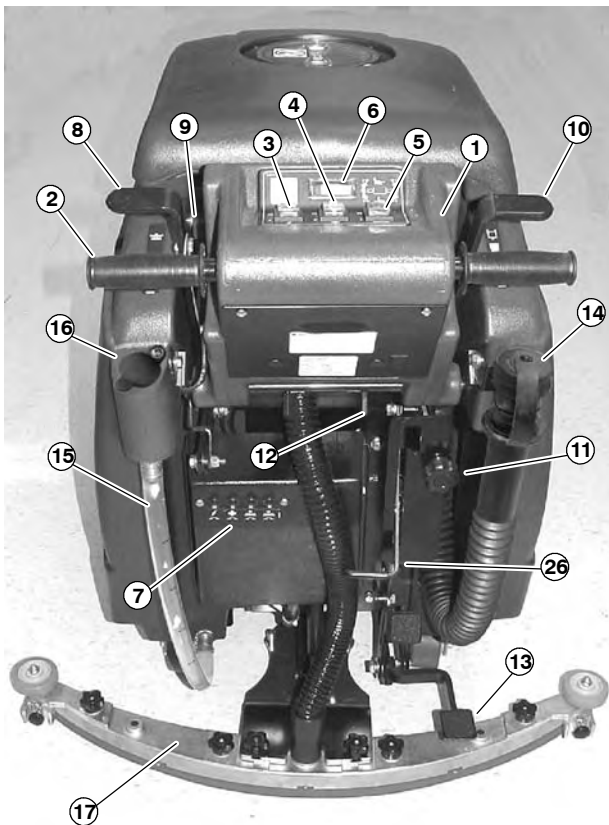
### ETIQUETA DE CAMBIO DE BATERIA - ESTÁ SITUADA EN EL COMPARTIMIENTO DE BATERÍA.

**⚠ ADVERTENCIA:** Peligro de incendio o explosión. Las baterías emiten hidrógeno. Mantenga chispas y llamas alejadas de la máquina. Mantenga el compartimento de la batería abierto mientras realiza la operación de carga.



# OPERACIÓN

## COMPONENTES DE LA MÁQUINA



1. Panel de control
2. Mandos giratorios de control
3. Interruptor principal (MAIN) y de Encendido/Apagado de la transmisión
4. Interruptor de Encendido/Apagado (ON/OFF) de la aspiración
5. Interruptor de Encendido/Apagado (ON/OFF) del cepillo
6. Indicador del nivel de carga de la batería
7. Cortacircuitos
8. Palanca de elevación de la escobilla de goma
9. Palanca de liberación de la escobilla de goma
10. Palanca del flujo de la disolución
11. Botón de ajuste del flujo de la disolución
12. Palancas de ajuste del panel de control
13. Pedal para elevar el cepillo

14. Manguera de vaciado del depósito de recuperación
15. Manguera de vaciado del depósito de recuperación con indicación en galones
16. Puerta trasera de llenado
17. Conjunto de la escobilla de goma
18. Depósito de recuperación
19. Tapa del depósito de recuperación
20. Puerta de relleno de la disolución
21. Luces de seguridad
22. Ruedecillas traseras
23. Soporte de la aleta
24. Aleta del cabezal de fregado
25. Rodillos de pared
26. Palanca de presión del cepillo



## INSTALACIÓN DE LA MÁQUINA

### DESEMBALADO DE LA MÁQUINA

1. Controle cuidadosamente si la caja de embalaje presenta signos de deterioro. Si existieran desperfectos, informe inmediatamente al transportista.
2. Compruebe la lista del contenido. Póngase en contacto con el distribuidor en caso de no haber recibido todos los accesorios.

Contenido:

- 4-Baterías de 6V - Opción
- 1-Cargador de baterías - Opción
- 1-Bandeja de batería (núm. 100707)
- 3-Cables de batería (núm. 130367)
- 1-Conjunto de la escobilla de goma

*Los impulsores de almohadillas y las almohadillas deben adquirirse por separado.*

3. Para desembalar la máquina, retire los elementos y cintas de embalaje que fijan la máquina al pallet. Con ayuda, levante la máquina del pallet.

**ATENCIÓN:** No haga rodar la máquina para retirarla del pallet si no utiliza una rampa, ya que podría averiarla.

**ATENCIÓN:** Para evitar el posible deterioro de la máquina, monte las baterías después de retirar la máquina del pallet de transporte.

### INSTALACIÓN DE LAS BATERÍAS

**⚠ ADVERTENCIA:** Peligro de incendio o explosión. Las baterías emiten hidrógeno. Mantenga chispas y llamas alejadas de la máquina. Mantenga la tapa del compartimento de la batería abierto mientras realiza la operación de carga.

**PARA SU SEGURIDAD:** Al revisar la máquina, utilice guantes y gafas de protección cuando manipule las baterías y sus cables. Evite el contacto con el ácido de la batería.

#### Especificaciones de la batería:

Cuatro baterías de 6 voltios, de ciclo profundo, de 305 amp-hora; pieza número 606991. Las dimensiones máximas de las baterías son 178mm (7 pulg.) de ancho x 308mm (12-1/8 pulg.) de largo x 356mm (14 pulg.) de alto.

1. Coloque todos los interruptores en la posición de apagado off y tire hacia fuera del botón del cortacircuitos principal main (Figura 1).



FIG. 1

**ATENCIÓN:** Para evitar que los motores arranquen accidentalmente, asegúrese de tirar hacia fuera del botón del cortacircuitos principal main antes de instalar las baterías.

2. Abra lateralmente y con cuidado el depósito de recuperación girándolo sobre la bisagra para poder acceder al compartimento de la batería. Extraiga del compartimento los cables sueltos de la batería (Figura 2).



FIG. 2

3. Instale cuidadosamente las baterías en el compartimento y coloque los bornes de la batería como se indica (Figura 3).

**ATENCIÓN:** No deje caer las baterías en el compartimento, tanto la batería como su soporte podrían averiarse.

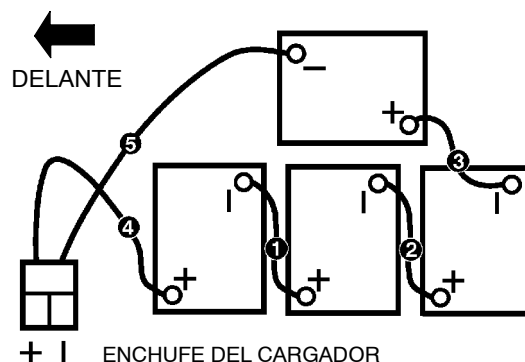


FIG. 3

# OPERACIÓN

4. Antes de conectar los cables de la batería, asegúrese de que los bornes y terminales están limpios. Utilice un limpiador de bornes y un cepillo de cerdas metálicas si es necesario.

**NOTA:** Aplique una fina capa de grasa no metálica o spray de protección en las conexiones del cable para evitar la aparición de corrosión en la batería.

5. Conecte los cables a los bornes de la batería en el orden numérico indicado en la etiqueta, ROJO EN EL POSITIVO Y NEGRO EN EL NEGATIVO (Figura 3).
6. Vuelva a comprobar la conexión de los cables antes de cerrar el compartimento de la batería.
7. Oprima el botón del cortacircuitos principal para restablecerlo.
8. Coloque el interruptor principal en la posición de encendido y revise el indicador de nivel de carga de las baterías para asegurarse de que estén totalmente cargadas. Si es necesario recargar las baterías, consulte la sección CARGA DE LAS BATERÍAS.

---

## PREPARACIÓN DE LA MÁQUINA

---

---

### FIJACIÓN DEL CONJUNTO DE LA ESCOBILLA DE GOMA

1. Coloque el interruptor principal en la posición de apagado.

**PARA SU SEGURIDAD:** Antes de abandonar o revisar la máquina, deténgase en una superficie plana, apague la máquina.

2. Tire hacia atrás de la palanca de elevación de la escobilla de goma para elevar el soporte de la escobilla de goma (Figura 4).

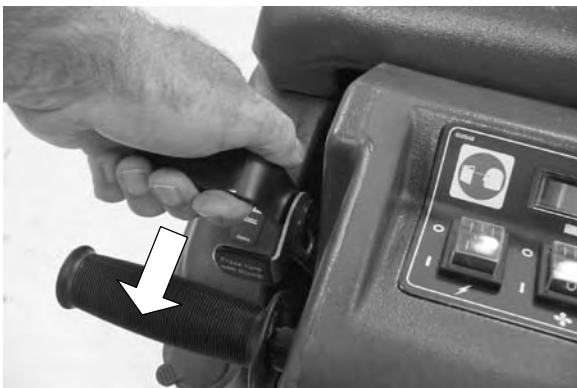


FIG. 4

3. Afloje los dos tornillos de orejas de la escobilla de goma e introduzca dicha escobilla deslizándola en las ranuras de la parte posterior del soporte de la escobilla de goma (Figura 5).



FIG. 5

4. Fije los tornillos de orejas.
5. Conecte la manguera de aspiración de la máquina al conjunto de la escobilla de goma (Figura 6).

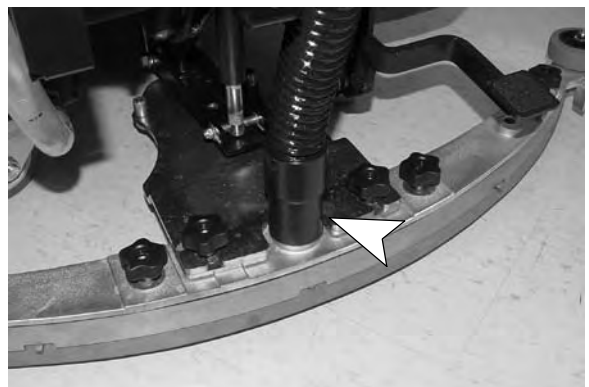


FIG. 6

---

### INSTALACIÓN DE LOS CEPILLOS O DE LOS IMPULSORES DE LAS ALMOHADILLAS

1. Coloque el interruptor principal en la posición de apagado y tire hacia fuera del botón del cortacircuitos principal.

**PARA SU SEGURIDAD:** Antes de abandonar o revisar la máquina, deténgase en una superficie plana, apague la máquina.

**ATENCIÓN:** Para evitar que la máquina comience a funcionar accidentalmente, tire hacia fuera del botón del cortacircuitos principal antes de instalar los impulsores de las almohadillas. El botón del cortacircuitos principal está en la parte posterior de la consola de control.

2. Eleve el cabezal del cepillo, pise con fuerza la parte inferior del pedal de elevación del cepillo para elevarlo (Figura 7).

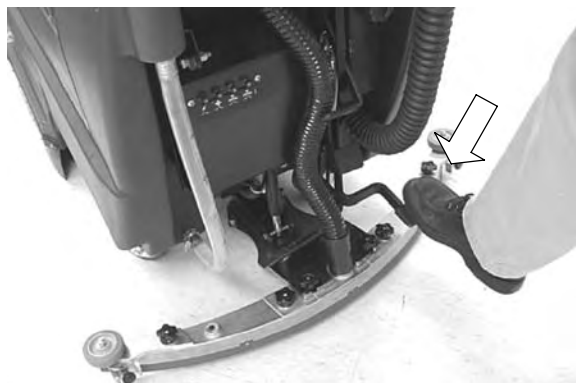


FIG. 7

3. Suelte el enganche negro de la parte delantera de la máquina y abra la bisagra del soporte de la aleta para acceder al cubo del motor (Figura 8).

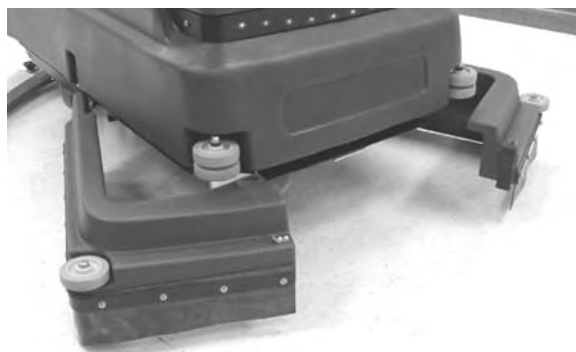


FIG. 8

4. Seleccione el cepillo o la almohadilla recomendados que mejor se adapte a sus necesidades de limpieza.

**NOTA:** Consulte a su distribuidor autorizado para la elección del cepillo o de la almohadilla adecuados para su caso específico.

5. **(Instalación de la almohadilla)** Fije las almohadillas a los impulsores de la almohadilla antes de conectar dichos impulsores al cubo del motor. Para fijar la almohadilla a su impulsor retire el cierre central de plástico del impulsor de la almohadilla. Coloque la almohadilla en el centro del impulsor de la almohadilla y vuelva a colocar y fijar el cierre central (Figura 9).



FIG. 9

6. Conecte los impulsores del cepillo/de la almohadilla a los cubos del motor. Alinee los (3) pernos de montaje con las ranuras del cubo del motor. Gire rápidamente el impulsor hacia el sujetador de resorte del cubo del motor. Asegúrese de que el impulsor de la almohadilla esté bien sujeto y que el sujetador de resorte se introduzca en uno de los pernos del impulsor antes de poner la máquina en funcionamiento (Figura 10).



FIG. 10

**NOTA:** Asegúrese siempre de que las superficies del impulsor de la almohadilla y del cubo del motor estén limpias antes de instalar los impulsores. El mantener las superficies limpias facilitará la extracción de los impulsores de las almohadillas.

7. Cierre el soporte de la aleta y ajuste de nuevo el enganche.

# OPERACIÓN

## LLENADO DEL DEPÓSITO DE LA DISOLUCIÓN

1. Empuje o dirija la máquina a la estación de llenado. Levante la escobilla de goma y el cepillo durante el transporte.
2. De vuelta apagado a la máquina

**PARA SU SEGURIDAD:** Antes de abandonar o revisar la máquina, deténgase en una superficie plana, apague la máquina.

3. Cierre del flujo de la disolución. Tire totalmente hacia atrás de la palanca del flujo de la disolución (Figura 11).



FIG. 11

4. Abra la puerta de llenado de la disolución que se encuentra en la parte delantera de la máquina y llene el depósito de la disolución con agua limpia (temperatura máxima de 60°C) o puede llenar el depósito de la disolución utilizando el orificio de llenado de la parte trasera de la máquina. Quite el tapón e introduzca la manguera para llenar el depósito. El tubo transparente que se encuentra debajo del orificio de llenado tiene marcas cada 19 litros para indicar el volumen de agua del depósito (Figura 12).

**NOTA:** La temperatura del agua **NO** debe ser superior a los 60°C (140°F) ya que se podría dañar el tanque.



FIG. 12

**NOTA:** Si utiliza un cubo para llenar el depósito, asegúrese de que dicho cubo esté limpio para evitar que se obstruyan las tuberías de la disolución.

5. Vierta un detergente recomendado en el depósito de disolución siguiendo las instrucciones de uso indicadas en el envase.

**ATENCIÓN:** Utilice únicamente productos de limpieza recomendados, **NO** utilice sustitutos. Consulte a un distribuidor autorizado acerca de los productos recomendados.

**⚠ ADVERTENCIA:** Peligro de incendio o explosión. No utilizar **NUNCA** líquidos inflamables.

**PARA SU SEGURIDAD:** Al usar la máquina, observe las instrucciones de mezcla y manejo de los recipientes de sustancias químicas.

## FUNCIONAMIENTO DE LA MÁQUINA

**PARA SU SEGURIDAD:** No utilice la máquina salvo que el operario haya leído y comprendido el manual de instrucciones.

**⚠ ADVERTENCIA:** Peligro de incendio o explosión. **NUNCA** haga funcionar la máquina sobre o en las proximidades de líquidos, vapores o polvos inflamables.

## COMPROBACIONES PREVIAS A LA PUESTA EN FUNCIONAMIENTO

1. Barra el suelo y quite el polvo que pueda quedar con una mopa.
2. Controle el nivel de carga de la batería para asegurarse que de las baterías estén completamente cargadas (Consulte CARGA DE LAS BATERÍAS).
3. Controle que están instalados los cepillos o almohadillas.
4. Controle que está instalada la escobilla de goma.

## UTILIZACIÓN DE LA MÁQUINA

1. Ajuste los mandos de control a una altura de manejo cómoda (tres ajustes posibles). Presione las dos palancas que se encuentran bajo el panel para elevar o bajar los mandos de control (Figura 13).



FIG. 13

2. Baje la escobilla de goma, pulse los pulsadores de la palanca de elevación de la escobilla de goma (Figura 14).



FIG. 14

3. Bajada del cabezal del cepillo: Pise con fuerza la parte superior del pedal de elevación del cepillo y empuje dicho pedal hacia delante para liberarlo (Figura 15).

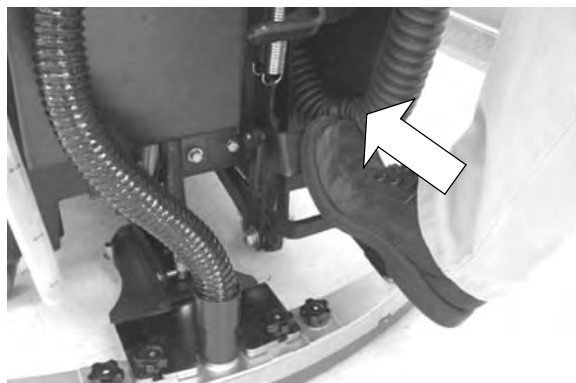


FIG. 15

4. Coloque el interruptor principal, el de los cepillos y el de aspiración en la posición de encendido.

**NOTA:** Los motores de los cepillos no arrancan hasta que se giran los mandos de control.

5. Empuje la palanca del flujo de la disolución ligeramente hacia delante para activar el paso de la disolución (para fregado convencional). Cuanto más empuje dicha palanca hacia delante mayor será el flujo de disolución. Empuje la palanca completamente para que el flujo sea máximo. La disolución empezará a fluir inmediatamente después de activar la palanca (Figura 16).



FIG. 16

**NOTA:** Para aumentar o disminuir el flujo máximo de la disolución gire el botón de ajuste del flujo de la disolución (para fregado convencional). Gire el botón en el sentido de las agujas del reloj para reducirlo y en sentido contrario para incrementar el flujo (Figura 17).



FIG. 17

6. Gire lentamente los mandos giratorios de control hacia delante para comenzar la operación de barrido. Cuanto más gire los mandos más velocidad ganará la máquina. Para desplazar la máquina marcha atrás basta girar los mandos hacia atrás.

**ATENCIÓN:** Arranque siempre la máquina a baja velocidad para evitar que salga despedida.

7. Controle la cantidad de flujo de disolución en el suelo y ajuste la palanca de control de la disolución para la cantidad de flujo de la disolución deseada (para fregado convencional).
8. Para detener la máquina suelte los mandos de control.

# OPERACIÓN

## DURANTE LA UTILIZACIÓN DE LA MÁQUINA

**PARA SU SEGURIDAD: Conduzca despacio cuando utilice la máquina en pendientes o superficies resbaladizas.**

**⚠ ADVERTENCIA: Peligro de incendio o explosión. NO recoja materiales inflamables ni metales reactivos.**

1. Superponga cada pasada de fregado 5 cm (2 pulg.).
2. Vierta un producto para el control de la formación de espuma en el depósito de recuperación si existe exceso de espuma.

**ATENCIÓN: No permita que el agua o la espuma se introduzcan en el filtro del flotador de cierre de la aspiración porque podría averiar el motor de aspiración. La espuma no activará el filtro del flotador de cierre.**

3. Cuando sea necesaria una mayor presión de fregado para limpiar pequeñas áreas muy sucias, siga los siguientes pasos:
  - a. Baje el cepillo.
  - b. Levante la palanca de presión del cepillo hasta que quede bloqueada (Figura 18).

**NOTA:** El cepillo *DEBE* estar bajado para poder elevar la palanca de la presión del cepillo hasta la posición de bloqueo. No deje la palanca en esta posición cuando los cepillos estén elevados.

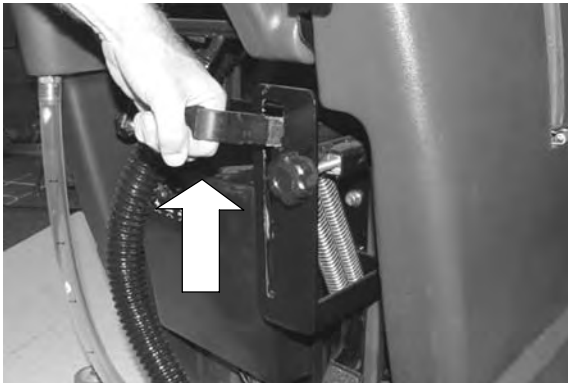


FIG. 18

4. Si la escobilla de goma deja marcas, eleve la escobilla de goma y limpie las láminas con un paño. Barra la zona con anterioridad para evitar la formación de marcas.
5. Antes de detener o girar la máquina, tire hacia atrás de la palanca de control de la disolución para detener el paso de disolución.
6. Durante las paradas cortas no es necesario apagar el interruptor del cepillo; el cepillo se detendrá automáticamente al soltar los mandos de control.

7. Controle la disolución que queda en el depósito de la disolución durante la operación de limpieza a través del tubo indicador transparente. Cada marca de la manguera indica 19 litros.
8. Controle periódicamente el nivel de carga de la batería. Recargue las baterías cuando la aguja se encuentre en la zona roja.

**ATENCIÓN: No siga utilizando la máquina cuando la aguja del indicador de carga de la batería se encuentre en la zona roja porque podría dañar la batería.**

9. Cuando se vacíe el depósito de la disolución, apague el interruptor del cepillo, cierre el flujo de la disolución mediante la palanca del flujo de la disolución y continúe aspirando hasta que todo el agua sucia se introduzca en el depósito de recuperación. A continuación vacíe el depósito de recuperación. (Consulte el apartado de VACIADO DE LOS DEPÓSITOS)

## CORTACIRCUITOS

Se equipa la máquina con (4) cortacircuitos para proteger los motores contra daños. Si se abre algún cortacircuitos, no es posible restablecerlo (cerrarlo) de inmediato. Determine la razón por la que se abrió, permita que el motor se enfríe y luego restablezca el cortacircuitos. Los cortacircuitos de los motores de los cepillos se abren debido a alguna sobrecarga excesiva en las almohadillas. En caso que el cortacircuitos llegara a abrirse, limpie o cambie la almohadilla afectada. Los botones de los cortacircuitos están en la parte posterior de la máquina, como se muestra en la Figura 19.

- Interruptor de circuito principal 10A
- Interruptor de circuito aspiración/impulsoras 35A
- Interruptor de circuito cepillo 35A (2)

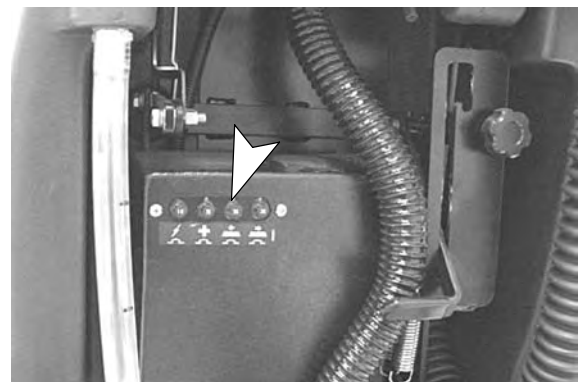


FIG. 19

**NOTA:** Si está realizando cualquier tipo de servicio en la máquina, tire hacia fuera del botón del cortacircuitos principal. Esto evita que algún motor llegue a funcionar accidentalmente mientras le esté dando servicio a la máquina.

## VACIADO DE LOS DEPÓSITOS

Debe vaciarse y limpiarse el depósito de recuperación después de cada uso. El depósito de disolución debe limpiarse periódicamente para retirar cualquier corrosión.

Transporte la máquina a un punto de vaciado, apague la llave de alimentación y realice las siguientes instrucciones de vaciado:

**PARA SU SEGURIDAD: Antes de abandonar o revisar la máquina, deténgase en una superficie plana, apague la máquina.**

### VACIADO DEL DEPÓSITO DE RECUPERACIÓN

1. Retire la manguera de vaciado de su soporte, coloque la manguera en el desagüe del suelo y desenrosque el tapón de la manguera de vaciado. Para vaciar completamente el depósito de recuperación, desplace dicho depósito lateralmente girándolo sobre la bisagra, monte el soporte del depósito y coloque el depósito sobre dicho soporte (Figura 20).

**NOTA:** Si utiliza un cubo para vaciar la máquina, no utilice el mismo cubo para llenar el depósito de la disolución.



FIG. 20

2. Aclare el depósito de recuperación después de cada uso. Esto evitará malos olores. Destornille la tapa transparente del depósito de recuperación. Utilice una manguera para aclarar el depósito de recuperación. Tenga cuidado de no introducir agua en el flotador de cierre.

### VACIADO DEL DEPÓSITO DE LA DISOLUCIÓN

1. Extraiga la lengüeta de la manguera transparente con marcas de la parte posterior de la máquina tirando de ella y vacíe la disolución limpiadora en el desagüe o en un cubo (Figura 21).



FIG. 21

2. Aclare el depósito de la disolución con agua limpia después de cada uso y aclare el sistema de tuberías de la disolución empujando la palanca del flujo de disolución hacia delante. Esto evitará obstrucciones debidas a la acumulación de productos químicos. Utilice la manguera transparente para vaciar el depósito de la disolución.
3. Conecte de nuevo la manguera transparente a la lengüeta de la manguera. Asegúrese de que la manguera está bien introducida en la lengüeta de la manguera.

## CARGA DE LAS BATERÍAS

**ATENCIÓN:** Para prolongar la vida útil de las baterías y obtener un rendimiento óptimo de la máquina, recargue ÚNICAMENTE las baterías si se ha utilizado la máquina más de 30 minutos. No deje nunca las baterías descargadas durante periodos largos.

Las siguientes instrucciones de carga se refieren sólo a los cargadores suministrados con la máquina. Utilice únicamente cargadores de baterías de las siguientes características para evitar el deterioro de las baterías.

### CARACTERÍSTICAS DEL CARGADOR DE BATERÍAS:

- TIPO DE CARGADOR: PARA BATERÍAS DE PLOMO CON ÁCIDO
- VOLTAJE DE SALIDA 24 VOLTIOS
- CORRIENTE DE SALIDA 25 AMP
- CIRCUITO DE CIERRE AUTOMÁTICO
- PARA CARGAR BATERÍAS DE CICLO PROFUNDO

# OPERACIÓN

1. Dirija la máquina a una zona bien ventilada para cargar las baterías.

**⚠ ADVERTENCIA: Peligro de incendio o explosión. Las baterías emiten hidrógeno. Mantenga chispas y llamas alejadas de la máquina. Mantenga el compartimento de la batería abierto mientras realiza la operación de carga.**

2. Antes de cargar las baterías, compruebe el nivel de electrolito en cada elemento de la batería (Figura 22).

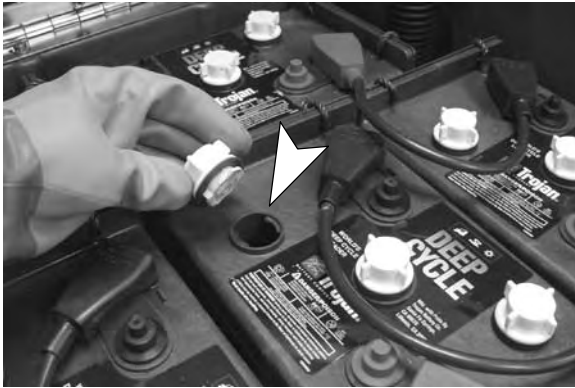


FIG. 22

**PARA SU SEGURIDAD: Al revisar la máquina, utilice guantes y gafas de protección cuando manipule las baterías y sus cables. Evite el contacto con el ácido de la batería.**

El nivel del electrolito (A) debe cubrir ligeramente los electrodos de la batería (B). Añada agua destilada si es necesario. **NO LLENE EN EXCESO**, el nivel del líquido puede expandirse y desbordarse al cargar. Coloque de nuevo las tapas de los elementos antes de la operación de carga (Figura 23).

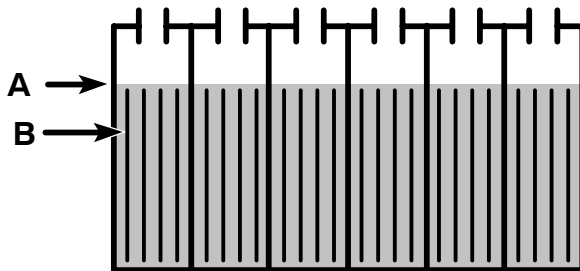


FIG. 23

3. Conecte el cable de alimentación eléctrica de CA del cargador a un enchufe con toma de tierra adecuada (Figura 24).

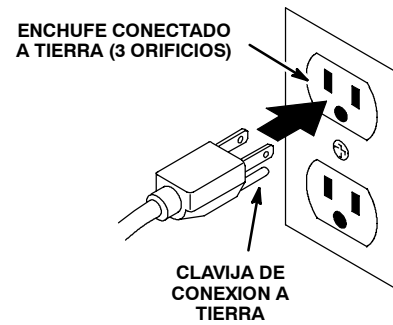


FIG. 24

4. Enchufe el conector de salida CC del cargador al conector de la batería situado cerca del compartimento de la batería (Figura 25).

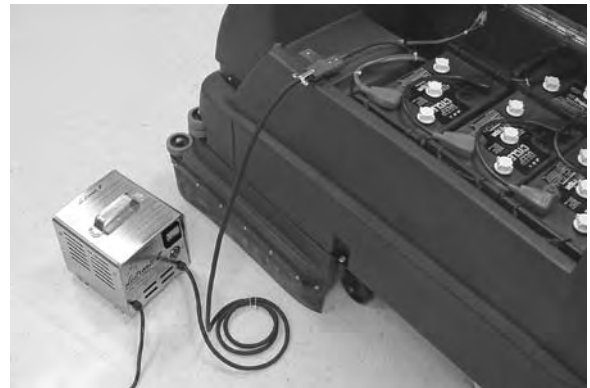


FIG. 25

5. El cargador comenzará la carga automáticamente y se apagará cuando la carga sea completa.
6. Coloque el depósito de recuperación sobre su soporte para facilitar la ventilación durante la carga (Figura 26).

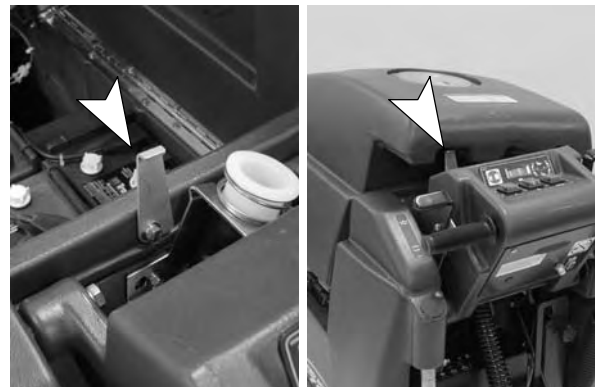


FIG. 26

**ATENCIÓN: No desenchufe del receptáculo de la máquina el cable de CC del cargador cuando esté en funcionamiento. Pueden producirse arcos voltaicos. Si es necesario interrumpir la carga, desenchufe el cable de alimentación de CA primero.**



**⚠ ADVERTENCIA: Peligro de incendio o explosión. Las baterías emiten hidrógeno. Mantenga chispas y llamas alejadas de la máquina. Mantenga el compartimento de la batería abierto mientras realiza la operación de carga.**

7. Baterías de plomo con ácido: Después de realizar la carga, compruebe el nivel del electrolito (A) de nuevo. El nivel debe estar a aproximadamente 1 cm de la parte inferior del orificio de llenado (B) (Figura 27). Añada agua destilada en caso necesario. **NO LLENE EN EXCESO.**

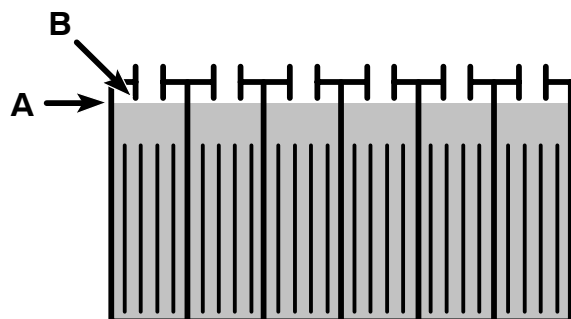


FIG. 27

## MANTENIMIENTO DE LA MÁQUINA

Para mantener la máquina en buenas condiciones de funcionamiento bastará realizar las siguientes operaciones de mantenimiento diaria, mensual o trimestralmente.

**⚠ ADVERTENCIA: Peligro eléctrico. Desconecte los cables de la batería antes de realizar reparaciones en la máquina.**

### MANTENIMIENTO DIARIO (Después de cada uso)

1. Retire y limpie los cepillos o almohadillas. No utilice nunca almohadillas sucias durante las operaciones de limpieza. Sustituya las almohadillas cuando estén cargadas de residuos.
2. Retire y limpie la suciedad y las pelusas del filtro del flotador situado en el depósito de recuperación (Figura 28).



FIG. 28

3. Vacíe y limpie los depósitos en profundidad. Después de aclarar los depósitos, desplace lateralmente el depósito de recuperación sobre su bisagra hasta poder ver el orificio de entrada de la aspiración situado en la parte posterior del depósito. En caso necesario retire los restos que puedan bloquear dicho orificio.
4. Levante la escobilla de goma y límpiela con un paño seco. Guarde la escobilla de goma en la posición elevada para evitar que resulte dañada.
5. Limpie el bastidor de la máquina con un limpiador no abrasivo que no contenga disolventes.

**PARA SU SEGURIDAD: Cuando limpie la máquina, no moje la máquina rociándola o utilizando una manguera. Pueden producirse fallos eléctricos.**

6. Recargue las baterías después de haberlas utilizado durante un tiempo mínimo de 30 minutos (Consulte CARGA DE LAS BATERÍAS).

### MANTENIMIENTO MENSUAL (Cada 80 horas de uso)

1. Controle el nivel del agua de los elementos de la batería (Consulte el apartado de MANTENIMIENTO DE LAS BATERÍAS).
2. Limpie la parte superior de la batería para evitar la formación de corrosión (Consulte el apartado de MANTENIMIENTO DE LAS BATERÍAS).
3. Controle si los cables de la batería están sueltos u oxidados.
4. Controle si la tensión de la cadena de impulsión es la apropiada y lubríquela con una grasa impermeable. Si necesita tensar la cadena consulte el apartado de MANTENIMIENTO DE LA CADENA DE IMPULSIÓN.
5. Lubrique los puntos de ajuste y el eje de la ruedecilla con una grasa impermeable.

# OPERACIÓN

- Lubrique la conexión de los puntos pivotantes con un spray de silicona y cúbrala a continuación con una grasa impermeable para mantener un funcionamiento suave.
- Controle que la máquina no presente escapes de agua ni tornillos ni tuercas flojos.

## MANTENIMIENTO TRIMESTRAL (Cada 250 horas de uso)

Controle el desgaste del cepillo de carbono del eje de transmisión, de los motores de aspiración y del cepillo, sustituya los cepillos cuando la longitud de sus cerdas sea igual o inferior a 10mm (0,38 pulg.). Póngase en contacto con el Centro de servicio autorizado para el mantenimiento de los motores.

Póngase en contacto con el Centro de servicio autorizado para el mantenimiento de los motores.

## MANTENIMIENTO DE LAS BATERÍAS

**⚠ ADVERTENCIA: Peligro de incendio o explosión. Las baterías emiten hidrógeno. Mantenga chispas y llamas alejadas de la máquina. Mantenga el compartimento de la batería abierto mientras realiza la operación de carga.**

**PARA SU SEGURIDAD: Al revisar la máquina, utilice guantes y gafas de protección cuando manipule las baterías y sus cables. Evite el contacto con el ácido de la batería.**

- Compruebe la densidad específica utilizando un densímetro para determinar el nivel de carga y el estado de las baterías (Figura 29). Si el valor de uno o más elementos de la batería es inferior al de los otros elementos de la batería (0,050 ó más), este elemento está deteriorado, en cortocircuito o a punto de fallar. Compare los valores obtenidos con el densímetro con los del siguiente esquema para determinar el nivel de carga que queda en la batería.

**NOTA:** No tome medidas inmediatamente después de añadir agua destilada. Si el agua y el ácido no están bien mezclados, es posible que el valor medido puede no sea correcto.

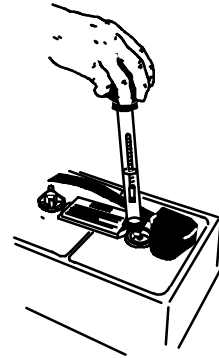


FIG. 29

DENSIDAD ESPECÍFICA a 27°C (80°F)	CARGA DE LA BATERÍA
1,265	100% DE CARGA
1,223	75% DE CARGA
1,185	50% DE CARGA
1,148	25% DE CARGA
1,110	DESCARGADA

**NOTA:** Si la temperatura del electrolito de la batería a la que se miden los valores no es de 27°C (80°F), deberá corregir el valor dependiendo de la temperatura. Sume o reste 0,004, 4 puntos, al valor de la densidad específica por cada 6°C (43°F) de diferencia por encima o debajo de 27°C (80°F).

- Siga siempre las instrucciones de la operación de carga (consulte CARGA DE LAS BATERÍAS).
- Controle el nivel de electrolito (A) en todos los elementos de las baterías después de realizar la operación de carga. El nivel debe estar a aproximadamente 1 cm de la parte inferior del orificio de llenado (B). Añada agua destilada en caso necesario (Figura 30). **NO LLENE EN EXCESO.**

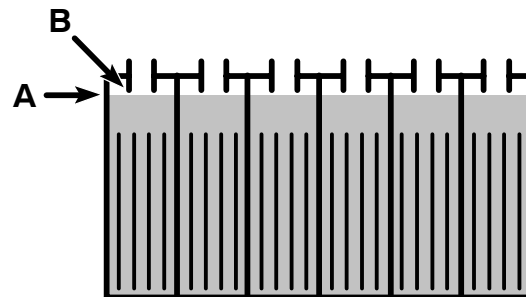


FIG. 30

- Mantenga limpias las partes superiores de las baterías para evitar la corrosión.

Limpieza de las baterías:

**PARA SU SEGURIDAD: Al revisar la máquina, utilice guantes y gafas de protección cuando manipule las baterías y sus cables. Evite el contacto con el ácido de la batería.**

- Haga una solución concentrada de bicarbonato y agua (Figura 31).



FIG. 31

- Rocíe ligeramente las partes superiores de las baterías y conectores de cables con la disolución.

**NOTA:** No permita que la solución de bicarbonato se introduzca en los elementos de las baterías.

- Utilice un cepillo de cerdas metálicas para limpiar los bornes y conectores de cables.
  - Después de la limpieza, aplique una capa de protector transparente de bornes de baterías a los bornes y conectores de cables.
- Controle si existen cables gastados o sueltos. Sustitúyalos si están gastados.

## MANTENIMIENTO DE LA CADENA DE IMPULSIÓN

**PARA SU SEGURIDAD: Antes de abandonar o revisar la máquina, deténgase en una superficie plana, apague la máquina.**

Examine la cadena impulsora para saber si hay la tensión apropiada. La cadena debe presentar una deformación del centro de 6,35mm a 12,7mm. Si la cadena se deforma más de 12,7mm debe tensar dicha cadena. Para tensar la cadena siga los pasos indicados a continuación:

- Coloque el interruptor principal en la posición de apagado y tire hacia fuera del botón del cortacircuitos principal.
- Localice y afloje los cuatro tornillos de fijación del motor a la derecha de la máquina desde el lado del operario. No extraiga los tornillos.

- Afloje la tuerca de bloqueo del tensor (Figura 32).

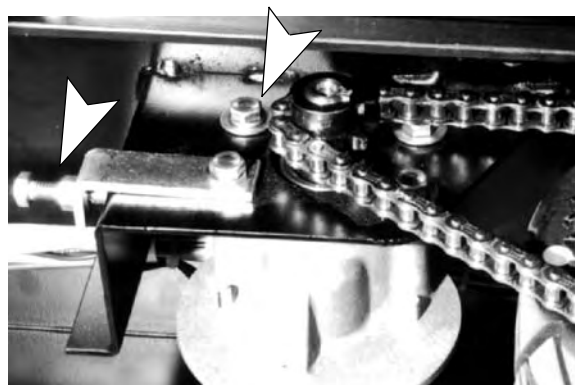


FIG. 32

- Gire el tensor en el sentido de las agujas del reloj hasta que se tense la cadena.
- Vuelva a apretar la tuerca de bloqueo y los 4 tornillos de fijación del motor.
- Lubrique la cadena con aceite impermeable.

## TRANSPORTE DE LA MÁQUINA

Cuando utilice un camión o remolque para transportar la máquina asegúrese de seguir los pasos siguientes para sujetar la máquina:

**ATENCIÓN: No utilice la máquina en pendientes a menos que esté presente el personal adecuado para ayudarle.**

- Retire la escobilla de goma de la máquina, levante el cabezal del cepillo. Deje instalados el cepillo o la almohadilla.
- Cargue la máquina utilizando la rampa de carga recomendada.
- Coloque la parte delantera de la máquina contra la parte delantera del remolque o camión. Una vez colocada la máquina, baje el cabezal del cepillo.
- Coloque un calzo detrás de la rueda tractora y de las ruedecillas traseras.
- Pase las cintas de sujeción por la parte superior de la máquina y sujételas al suelo del remolque o camión. Puede ser necesario el instalar varios soportes de sujeción en el suelo de su camión o remolque.

# OPERACIÓN

## ALMACENAMIENTO DE LA MÁQUINA

1. Antes de guardar la máquina asegúrese de aclarar los depósitos y vaciar el agua de la máquina.
2. Guarde la máquina en un sitio seco con las escobillas de goma quitadas y el impulsor de la almohadilla en posición elevada.
3. Retire la tapa del depósito de recuperación para facilitar la circulación de aire.
4. Cuando guarde la máquina por periodos cortos, levante el impulsor de la almohadilla y la escobilla de goma de manera que no toquen el suelo; esto evitará que se deterioren.

**ATENCIÓN:** Si guarda la máquina con temperaturas iguales o inferiores a 0°C, asegúrese de vaciar todo el agua de la misma. La garantía no cubre las averías causadas por heladas.

**ATENCIÓN:** No permita que la lluvia moje la máquina, guárdela en recintos cerrados.

## ARTÍCULOS RECOMENDADOS A MANTENER EN EXISTENCIA

Para los artículos recomendados a mantener en existencia, refiérase a la sección de Lista de Piezas. Los artículos para mantener en existencia están claramente identificados con una bola que precede a la descripción de las piezas. Vea el ejemplo de abajo:

Ref.	Part No.	Description	Qty.
1	201193	ASM, STANDPIPE	1
2	160612	● FLOAT, SHUTOFF	1
3	230197	NIPPLE	1
4	101714	● GASKET	1
5	210240	NUT, FLANGED	1

## LOCALIZACIÓN DE AVERÍAS

PROBLEMA	CAUSA	SOLUCIÓN
No hay alimentación, no funciona nada.	Las baterías necesitan ser cargadas.	Consultar el apartado de CARGA DE LAS BATERÍAS.
	Batería(s) defectuosa(s).	Sustituir la(s) batería(s).
	Cable de la batería flojo.	Apretar los cables flojos.
	Las baterías están mal conectadas.	Consultar el apartado de INSTALACIÓN DE LAS BATERÍAS.
	Defectuoso principal interruptor.	Contactar con el Servicio Técnico.
	Cortacircuitos PRINCIPAL activado.	Determinar la causa y reajustar el botón del cortacircuitos.
El motor del cepillo no funciona.	Cortacircuitos del cepillo activado o se ha sacado.	Limpiar o sustituir el cepillo o la almohadilla y reajustar el cortacircuitos.
	Los mandos de control no están girados.	Girar los mandos de control.
	Cableado defectuoso o motor del cepillo averiado.	Contactar con el Servicio Técnico.
	Interruptor del cepillo defectuoso.	Contactar con el Servicio Técnico.
	Cepillos de carbón gastados.	Contactar con el Servicio Técnico.
	Solenoides defectuosos.	Contactar con el Servicio Técnico.
El motor de aspiración no funciona.	Cortacircuitos de aspiración activado.	Retirar la obstrucción y reajustar el cortacircuitos.
	Interruptor de aspiración defectuoso.	Contactar con el Servicio Técnico.
	Cableado defectuoso o motor de aspiración averiado.	Contactar con el Servicio Técnico.

**LOCALIZACIÓN DE AVERÍAS - continuación**

<b>PROBLEMA</b>	<b>CAUSA</b>	<b>SOLUCIÓN</b>
El motor de aspiración no funciona - continuación.	Solenoides defectuosos.	Contactar con el Servicio Técnico.
	Cepillos de carbón gastados.	Contactar con el Servicio Técnico.
Tiempo de funcionamiento demasiado corto.	Las baterías no están totalmente cargadas.	Cargar las baterías.
	Elemento defectuoso en una o más baterías.	Sustituir la batería.
	Las baterías necesitan una revisión.	Consultar el apartado de MANTENIMIENTO DE LA BATERÍAS.
	Cargador defectuoso.	Sustituir el cargador.
Funcionamiento defectuoso de las escobilla de goma.	Depósito de recuperación lleno.	Vaciar el depósito de recuperación.
	Filtro del flotador de cierre del depósito de recuperación obstruido.	Extraer el filtro y limpiarlo.
	Escobilla de goma bloqueada por restos.	Limpiar la escobilla de goma.
	Láminas de la escobilla de goma gastadas.	Sustituir las láminas de la escobilla de goma.
	Tornillos de orejas de la escobilla de goma flojos.	Apretar los tornillos de orejas.
	Conexiones de la manguera de aspiración sueltas o la manguera está perforada.	Introducir bien la manguera de aspiración en sus conexiones. Sustituir la manguera si está dañada.
	Manguera de aspiración bloqueada por restos.	Retirar los restos que la bloquean.
Funcionamiento defectuoso de las escobilla de goma - continuación .	Entrada al depósito de recuperación bloqueada. La entrada se encuentra en la parte inferior del depósito de recuperación.	Vaciar el depósito de recuperación y levantarlo lateralmente para localizar el orificio de entrada, retirar los restos que bloquean dicho orificio.
	Junta del depósito defectuosa.	Sustituir la junta del depósito.
	Tapón de la manguera de vaciado mal cerrado.	Cerrar bien el tapón de vaciado.
	Tapa transparente del depósito de recuperación floja.	Cerrar bien la tapa.
	Motor de aspiración flojo.	Contactar con el Servicio Técnico.
	Batería poco cargada.	Cargar las baterías. No utilizar la máquina cuando la aguja indicadora del nivel de carga de la batería se encuentra en la zona roja.
El motor de impulsión no funciona.	Cortacircuitos PRINCIPAL activado.	Determinar la causa y reajustar el cortacircuitos.
	Defectuoso principal interruptor.	Contactar con el Servicio Técnico.
	Tarjeta de control de la velocidad o su conexión defectuosas.	Contactar con el Servicio Técnico.
	Solenoides defectuosos.	Contactar con el Servicio Técnico.
	Cableado defectuoso.	Contactar con el Servicio Técnico.
	Motor de impulsión defectuoso.	Contactar con el Servicio Técnico.
	Cepillos de carbón gastados.	Contactar con el Servicio Técnico.

# OPERACIÓN

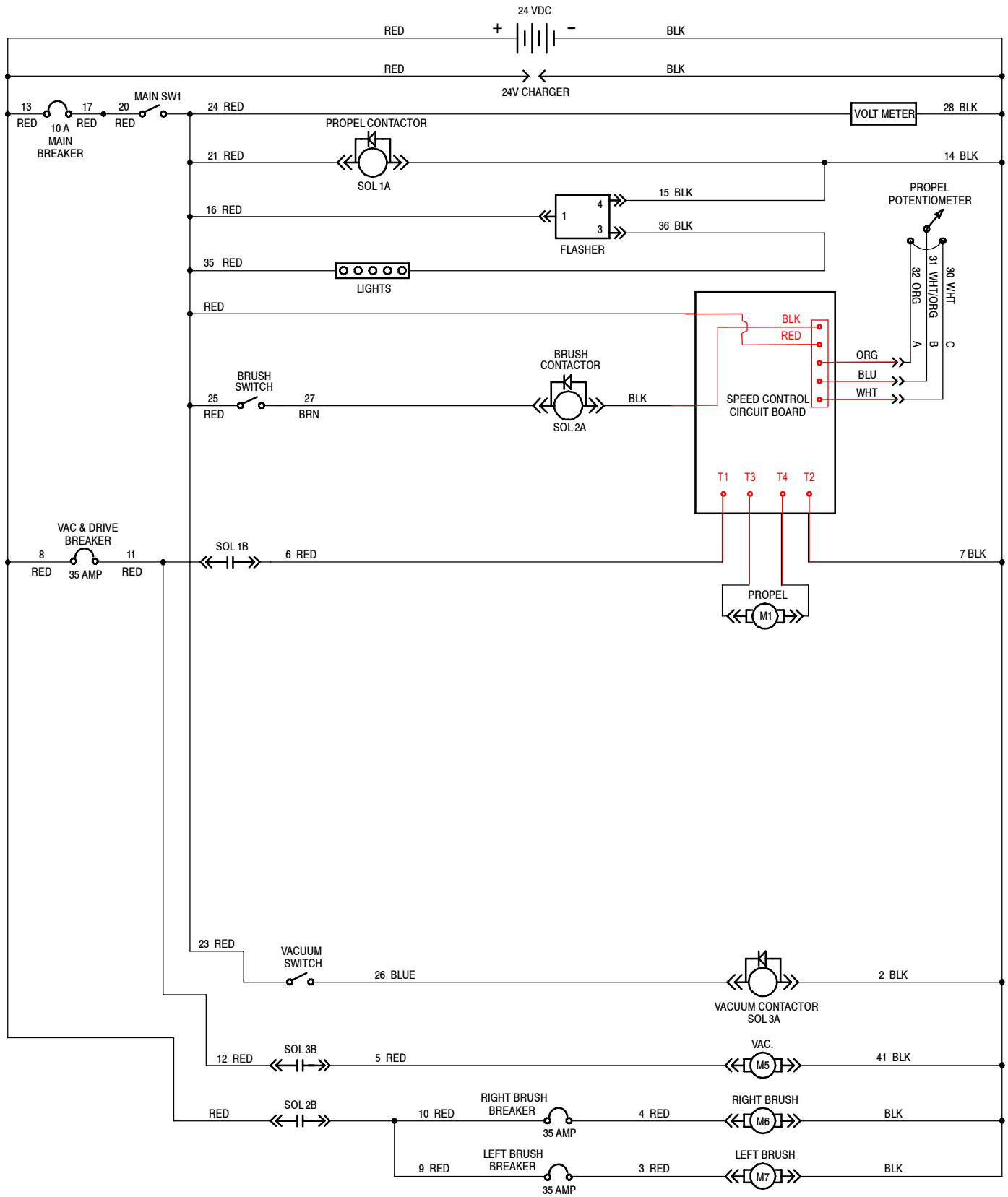
## LOCALIZACIÓN DE AVERÍAS - continuación

PROBLEMA	CAUSA	SOLUCIÓN
El motor de impulsión funciona pero no correctamente.	Potenciómetro o tarjeta de control de la velocidad defectuosos.	Contactar con el Servicio Técnico.
	Resistencia defectuosa.	Contactar con el Servicio Técnico.
El flujo de la disolución es insuficiente o nulo.	La palanca del flujo de la disolución no ha sido activada.	Empujar la palanca del flujo de la disolución hacia delante.
	Tubería o filtro de la disolución bloqueadas.	Extraer la manguera y limpiarla con aire comprimido. Para evitar que se vuelva a bloquear aclarar el depósito de la disolución con agua limpia después de cada uso.
	Válvula de la disolución bloqueada.	Extraer la válvula y limpiarla. No raye ni dañe el interior de la válvula.
	Es necesario ajustar el botón de ajuste el flujo de la disolución.	Girar el botón del flujo de la disolución en el sentido de las agujas del reloj para incrementar dicho flujo.
Las luces de seguridad no funcionan.	Bombilla fundida.	Contactar con el Servicio Técnico.

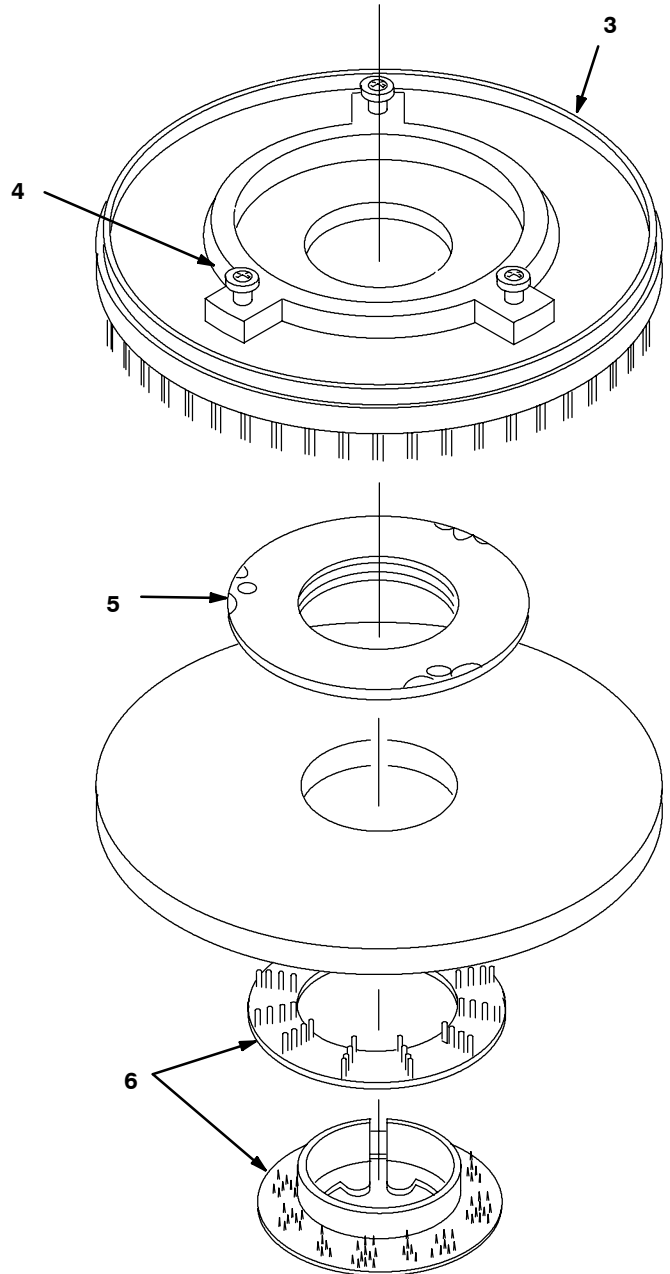
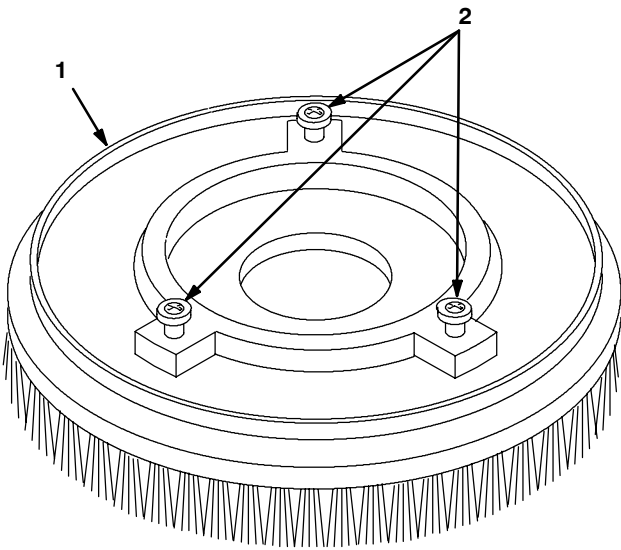
## ESPECIFICACIONES

MODELO	5540	5560
LONGITUD	1500 mm (59 pulg.)	1500 mm (59 pulg.)
ANCHURA	740 mm (29 pulg.)	890 mm (35 pulg.)
ALTURA	1040 mm (41 pulg.)	1040 mm (41 pulg.)
PESO - CON BATERÍAS	352kg (760 lbs)	355kg (765 lbs)
CAPACIDAD DE LOS DEPÓSITOS	102 L (27 Gal)	102 L (27 Gal)
CONTROL DE LA VELOCIDAD	Variable delante/detrás	Variable delante/detrás
VELOCIDAD DE LIMPIEZA (MAX.)	2787 m <sup>2</sup> /h (30,000 sq. ft./h)	3251 m <sup>2</sup> /h (35,000 sq. ft./h)
ANCHURA DEL CARRIL DE LIMPIEZA	680 mm (27 pulg.)	830 mm (33 pulg.)
DIÁMETRO DE LA ALMOHADILLA	2 - 355 mm (14 pulg.)	2 - 430 mm (17 pulg.)
ANCHURA DE LA ESCOBILLA DE GOMA	965 mm (38 pulg.)	1067 mm (42 pulg.)
MOTOR DE IMPULSIÓN	0.5 cv, 0-1800 rpm, 24V, 10A	0.5 cv, 0-1800 rpm, 24V, 10A
MOTOR DEL CEPILLO	2 - 0.75 cv, 220 rpm, 24V, 20A, 550W	2 - 0.75 cv, 220 rpm, 24V, 20A, 550W
MOTOR DE ASPIRACIÓN	0.75 cv, 3-fases 5,7", 24V, 21A, 550W	0.75 cv, 3-fases 5,7", 24V, 21A, 550W
ELEVACIÓN DEL AGUA	1720 mm (68 pulg.)	1720 mm (68 pulg.)
BATERÍAS	4-305 amp/hora 6 v ciclo	4-305 amp/hora 6 v ciclo
AUTONOMÍA POR CARGA	4.76 horas	4.76 horas
NIVEL DE RUIDO EN DECIBELIOS A LA ALTURA DEL OPERARIO EN RECINTO CERRADO CON SUELO DE BALDOSAS.	<70dB(A)	<70dB(A)

# ELECTRICAL DIAGRAM DIAGRAMA ELECTRICO



**REPLACEMENT BRUSHES AND PAD DRIVER GROUP**  
**CEPILLO DEL REEMPLAZO Y GRUPO DEL MANDO DE LA ALMOHADILLA**





**REPLACEMENT BRUSHES AND PAD DRIVER GROUP**  
**CEPILLO DEL REEMPLAZO Y GRUPO DEL MANDO DE LA ALMOHADILLA**

REF	PART #	DESCRIPTION	QTY.
▽ 1	240227	●BRUSH, 14" POLY SCRUB PK/2 (5540)	2
	240234	●BRUSH, 14" NYLON GRIT PK/2 (5540)	2
	240236	●BRUSH, 14" DYNA SCRUB PK/2 (5540)	2
	240243	●BRUSH, 14" SCRUB/STRIP PK/2 (5540)	2
	240230	●BRUSH, 17" POLY SCRUB PK/2 (5560)	2
	240235	●BRUSH, 17" NYLON GRIT PK/2 (5560)	2
	240237	●BRUSH, 17" DYNA SCRUB PK/2 (5560)	2
	240241	●BRUSH, 17" SCRUB/STRIP PK/2 (5560)	2
▲ 2	240238	LUGS, W/ SCREWS (SET OF 3)	6

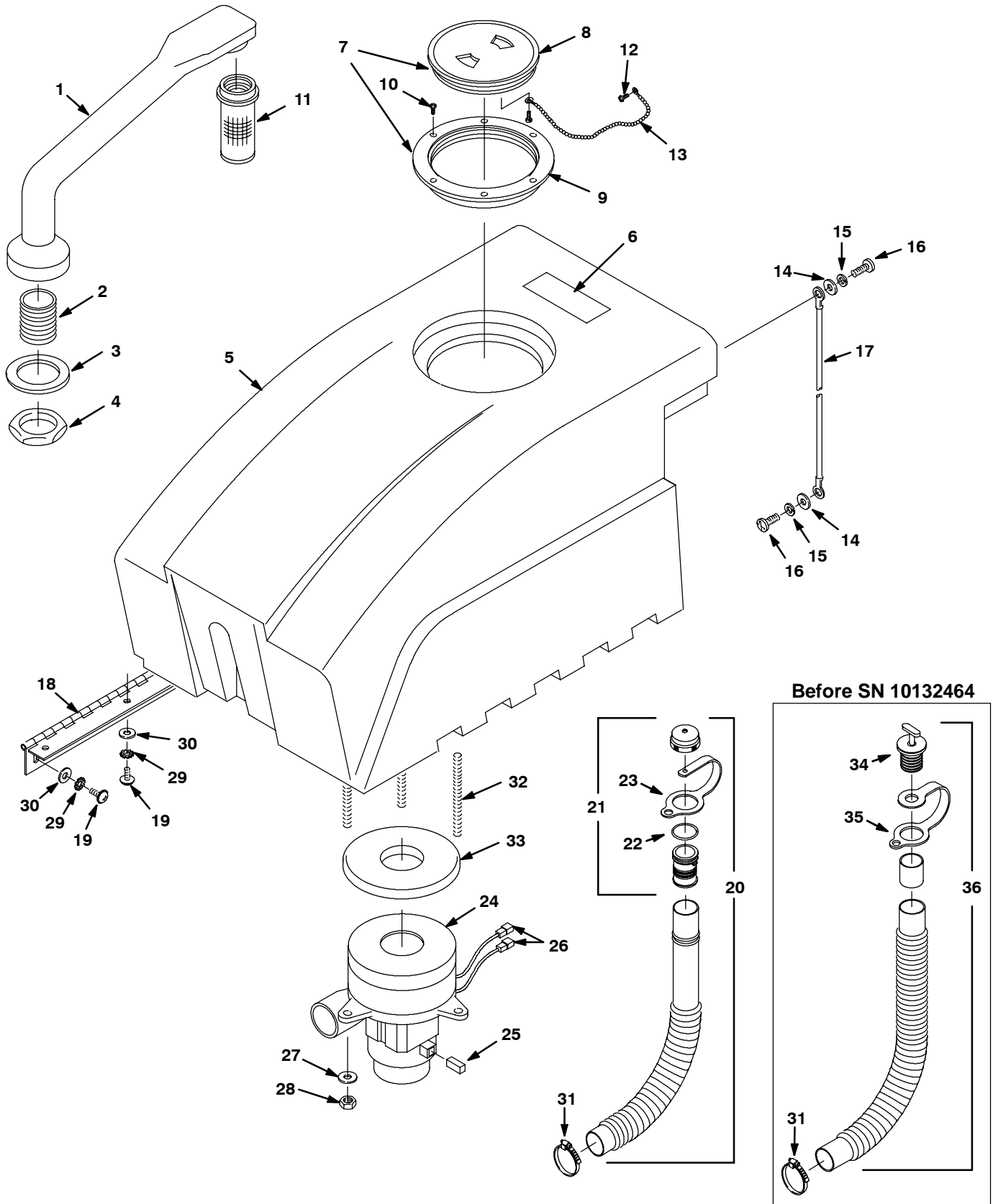
REF	PART #	DESCRIPTION	QTY.
▽ 3	240232	●ASM, 14" PAD DRIVER (5540)	2
	240233	●ASM, 17" PAD DRIVER (5560)	2
▲ 4	240238	LUGS, W/ SCREWS (SET OF 3)	6
▲ 5	100106	PLATE, PAD DRIVER BASE	2
▲ 6	100107	●RING, PAD RETAINER SNAP-IN	2

▽ ASSEMBLY / CONJUNTO

▲ INCLUDED IN ASSEMBLY / INCLUIDO EN EL CONJUNTO

● RECOMMENDED STOCK ITEMS / ARTICULOS RECOMENDADOS PARA MANTENER EN EXISTENCIA

**RECOVERY TANK GROUP**  
**CONJUNTO DESPOSITO RECUPERAR**



**RECOVERY TANK GROUP**  
**CONJUNTO DESPOSITO RECUPERAR**

REF	PART #	DESCRIPTION	QTY.
▽	100162	ASM, STANDPIPE W/NIPPLE	1
▲ 1	100759	STANDPIPE, RM-NAT	1
▲ 2	606088	FITTING, 1-1/2" NIPPLE CPVC	1
3	101714	●GASKET, WASTE AIR CHAMBER	1
4	210240	NUT, FLANGED 1-1/2 FPT	1
▽ 5	614120	ASM, RECOVERY TANK WITH LABEL, TEAL	1
▲ 6	1026386	LABEL, WARNING [EXPL,FIRE,SHK EN/FR/ES]	1
▽ 7	100102	●CLEAR LID W/STANDARD HOLE	1
▲ 8	100105	●LID, CENTER ONLY, CLEAR	1
▲ 9	100109	●LID, OUTER RING	1
10	140826	SCREW, #6X3/4 PANPHL SHTMTL	6
11	180613	●FLOAT, SHUT-OFF	1
12	3701.6	SCREW, #6X3/8 PANPHL SHTMTL	2
13	230513	ASSEMBLY, CHAIN	1
14	140027	WASHER, 5/16 FLAT	2
15	140015	WASHER, 5/16 LOCK	2
16	16931	SCREW, M8X1.25X20 HEXHD	2

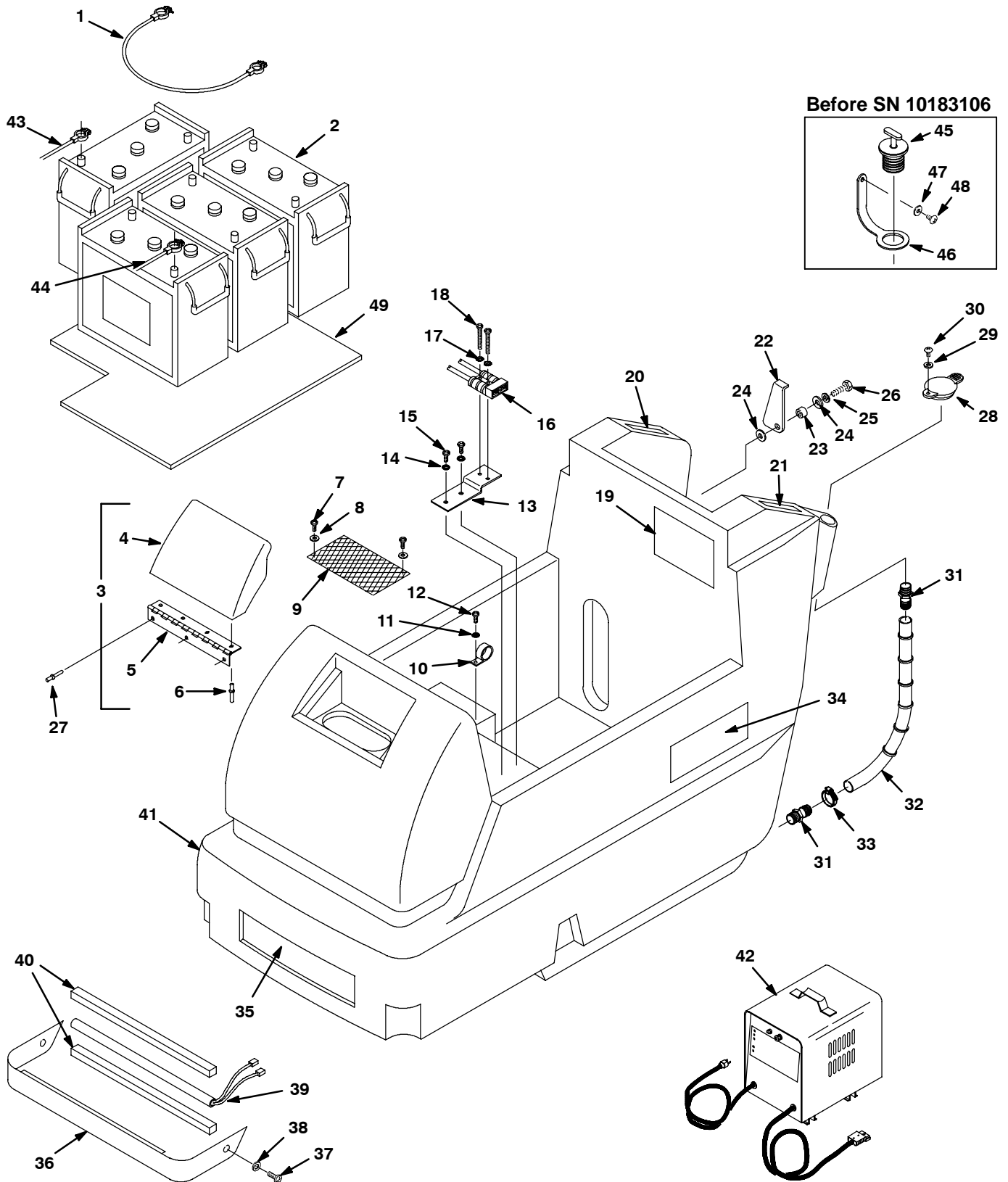
▽ ASSEMBLY / CONJUNTO

▲ INCLUDED IN ASSEMBLY / INCLUIDO EN EL CONJUNTO

● RECOMMENDED STOCK ITEMS / ARTICULOS RECOMENDADOS PARA MANTENER EN EXISTENCIA

REF	PART #	DESCRIPTION	QTY.
17	140960	CABLE, REC TANK SUPPORT	1
18	230938	HINGE, REC TANK	1
19	363503	SCREW, M6X1.0X12 PANHD	11
▽ 20	1010143	●ASSEMBLY, DRAIN HOSE	1
▲▽ 21	1008639	●ASSEMBLY, CAP, DRAIN HOSE	1
▲ 22	1008637	●O-RING	1
▲ 23	1019563	●STRAP, DRAIN CAP	1
▽ 24	130477	●MOTOR, VAC 5.7 3S 24V	1
▲ 25	190163	●BRUSH, CARBON 2/PK	1
26	130096	TERMINAL, MALE	2
27	140000	WASHER, 0.28B, 0.62D, .04, FLAT	3
28	08712	NUT, M6X1.0 NYLOCK	3
29	140052	WASHER, 1/4 LOCK	11
30	140000	WASHER, 0.28B, 0.62D, .04, FLAT	11
31	140308	CLAMP, HOSE 1.31-2.25D	1
32	140353	SCREW, M6X1.0X108 STUD	3
33	626092	●GASKET, VAC MOTOR	1
34	621324	PLUG, EXPANDABLE, 1.5D	1
35	578441	STRAP, HOSE, DRAIN	1
36	N/A	DRAIN HOSE / PLUG ASSEMBLY - REPLACED BY ASSEM. ITEM #20	1

CHASSIS GROUP  
CONJUNTO TELAIO



**CHASSIS GROUP**  
**CONJUNTO TELAIO**

REF	PART #	DESCRIPTION	QTY.
1	130367	CABLE, BATTERY 15" BLK X 6 GA.	3
2	606991	●BATTERY 6V 305AH DUAL TERM	4
	130986	●BATTERY 6V 250AH	4
▽ 3	607982	ASM, COVER SOL. TANK TEAL	1
▲ 4	612519	COVER, SOL. TANK TEAL	1
▲ 5	611068	HINGE, COVER	1
▲ 6	140706	RIVET, POP 1/8	4
7	3701.6	SCREW, #6X3/8 PANPHL SHTMTL	2
8	140032	WASHER, #6 FLAT	2
9	602529	FILTER, SCREEN	1
10	140300	CLAMP, INSULATED 1/2" ID	1
11	07514	WASHER, #10 LOCK	1
12	1026454	SCREW, PAN, M5X0.8X10,SS	1
13	230665	BRACKET, CHARGER PLUG	1
14	07514	WASHER, #10 LOCK	2
15	1026454	SCREW, PAN, M5X0.8X10,SS	2
16	604556	ASM, WIRE, CHARGE PLUG	1
17	140019	WASHER, #6 LOCK	2
18	2728.12	SCREW #6-32X3/4 PANPHL	2
19	120567	DECAL, WARNING BATT. DIAGRAM	1
20	600649	DECAL, SOLUTION LEVER, CE	1
21	600650	DECAL, SQUEEGEE LEVER CE	1
22	230925	SUPPORT, RECOVERY TANK	1
23	611418	SLEEVE, .437D, .315B, .14L	1
24	140027	WASHER, 5/16 FLAT	2
25	140015	WASHER, 5/16 LOCK	1

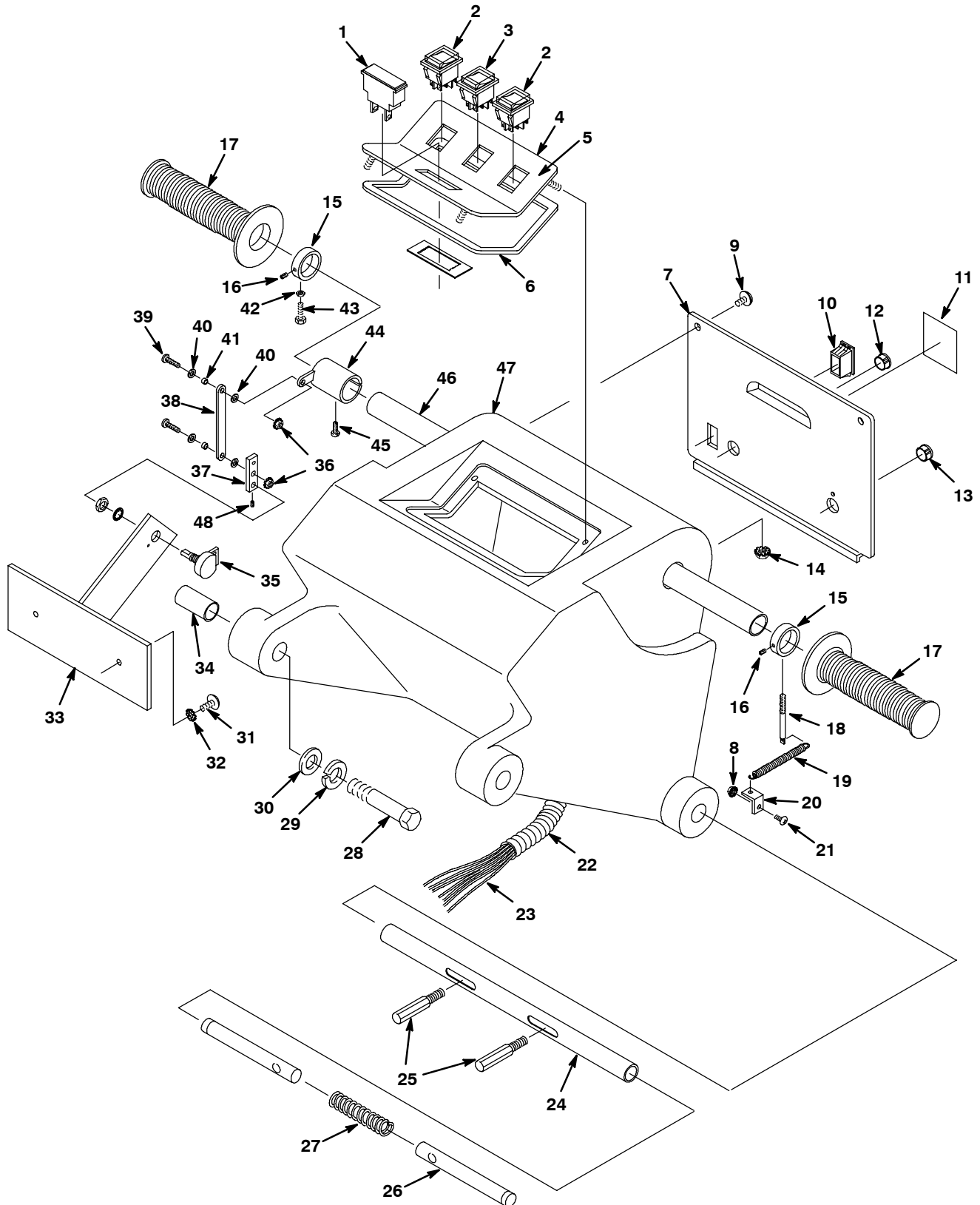
REF	PART #	DESCRIPTION	QTY.
26	578237000	SCREW M8X1.25X18 HXHDCP	1
27	140706	RIVET, POP 1/8	3
28	1012965	●CAP, PORT, SOLUTION FILL	1
29	01683	WASHER, FLAT #10	1
30	140340	SCREW, PAN #10-24 X 0.62	1
31	150529	FITTING, 3/4M X 3/4H BARB	2
32	600796	HOSE, DRAIN W/LEVEL INDCTR	1
33	630369	CLAMP, HOSE .50 - 1.1	1
34	608110	DECAL, 5540	2
	608111	DECAL, 5560	2
35	120192	LABEL, TENNANT LOGO	1
36	1020770	SHIELD, LIGHT	1
37	1026454	SCREW, PAN, M5X0.8X10,SS	2
38	07514	WASHER, #10 LOCK	2
39	130020AM	●LIGHT, SAFETY 19"	1
40	613453	GASKET, 1/2" CLOSED CELL	2
41	607513	TANK, SOLUTION TEAL	1
42	130871	●CHARGER, 24VDC 25AMP (FOR 250-305 AMP BATTERIES)	1
	601734	●CHARGER, 24VDC 36AMP (FOR 250-335 AMP BATTERIES)	1
43	130390	ASM., WIRE #6 BLK 29"	1
44	130391	ASM., WIRE #6 RED 64"	1
45	621324	●PLUG, EXPANSION	1
46	600476	●STRAP, PLUG, REAR FILL	1
47	140011	WASHER, 3/16 FLAT	1
48	140350	SCREW, #10X1/2 PANPHL	1
49	100707	PLATE, BATTERY SUPPORT	1

▽ ASSEMBLY / CONJUNTO

▲ INCLUDED IN ASSEMBLY / INCLUIDO EN EL CONJUNTO

● RECOMMENDED STOCK ITEMS / ARTICULOS RECOMENDADOS PARA  
MANTENER EN EXISTENCIA

CONTROL CONSOLE GROUP  
CONJUNTO CONSOLA DE CONTROLES



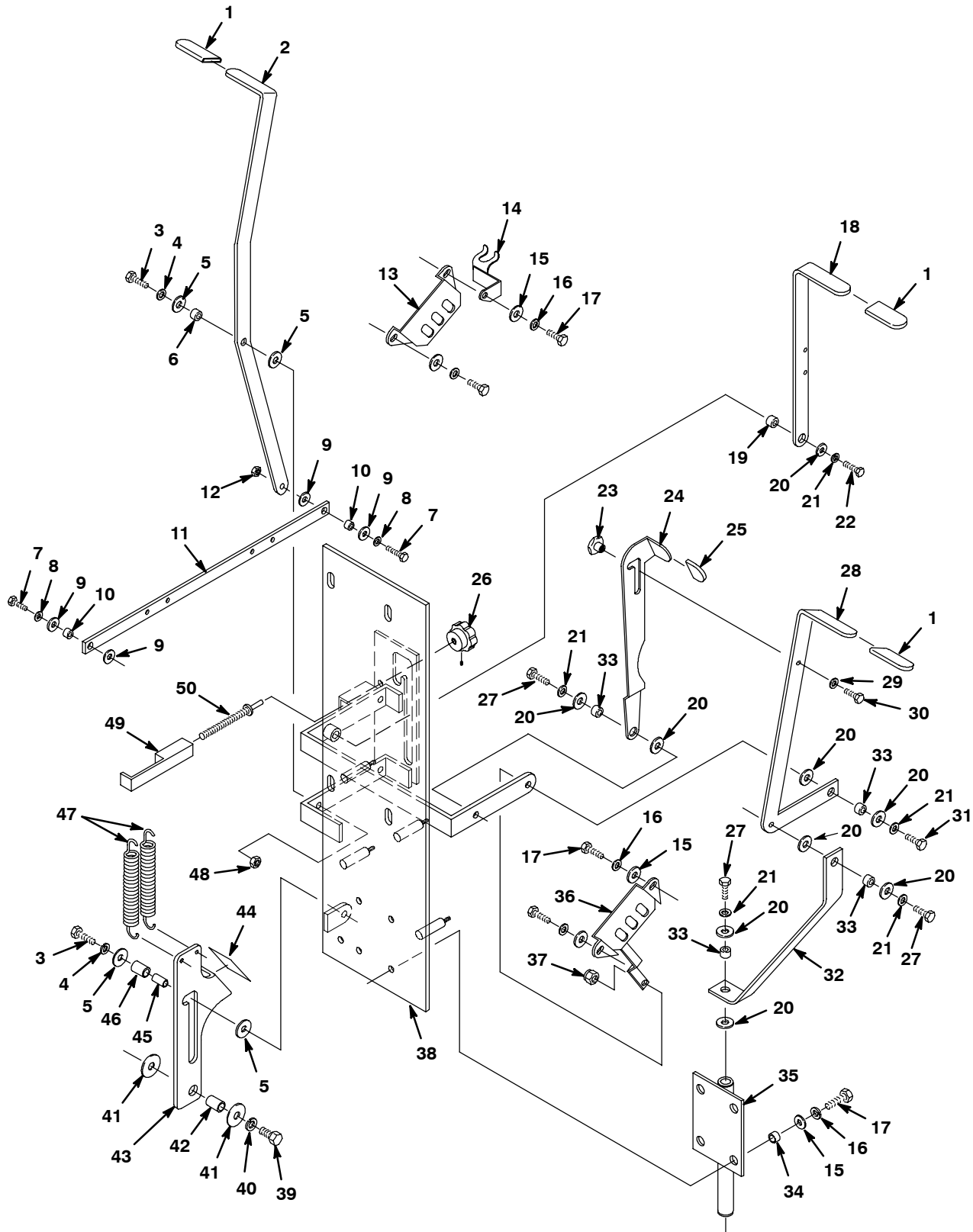
**CONTROL CONSOLE GROUP  
CONJUNTO CONSOLA DE CONTROLES**

REF	PART #	DESCRIPTION	QTY.
1	606020AM	●METER, BATTERY VOLTAGE 24V	1
2	130816	●SWITCH, ROCKER SPST	2
3	130764	●SWITCH, ROCKER DPST 240V	1
4	230698.BK	PANEL, CONSOLE	1
5	600648	DECAL, DASH CE	1
6	100057	●GASKET, CONSOLE	1
7	606276	PANEL, REAR COVER	1
8	140519	NUT, #10-24 KEP	1
9	140197	SCREW, #10-24X3/8 TRSPHL	2
10	582150	PLUG, ACCESSORY SWITCH	1
11	606105	LABEL, DO NOT SPRAY	1
12	130198	PLUG, PRY OUT .500 OD	1
13	069764626	PLUG, HOLE 012.7MM	1
14	140519	NUT, #10-24 KEP	4
15	230652	COLLAR, HANDLE	2
16	140859	SCREW, 1/4-20X1/4 SET	2
17	200823	●GRIP, HANDLE TUBE	2
18	230491	PIN, SPRING RETURN	1
19	1002114	SPRING, ROLL THROTTLE	1
20	230564	BRACKET, SPRING	1
21	140900	SCREW, #10-24X3/4 TRSPHL	1
22	611986	WRAP, LOOM .50DX1.5'	1
23	600646	HARNESS, HOUSING	1
24	230613	TUBE, HANDLE ADJUSTMENT	1

REF	PART #	DESCRIPTION	QTY.
25	230649	PIN, HANDLE ADJUSTMENT	2
26	230648	PIN, HANDLE ADJUSTMENT LOCK	2
27	140415	SPRING, LOCK PIN	1
28	140351	SCREW, M12X1.75X70 HXHDCP	2
29	140024	WASHER, 1/2 LOCK	2
30	3148.816	WASHER, .875X.515X.06 FLAT	2
31	140885	SCREW, 1/4-20X1/2 TRSPHL	2
32	140052	WASHER, 1/4 LOCK	2
33	230690	BRACKET, SPEED POT	1
34	140155	BUSHING, .48X.62X2.00	2
35	190802	●KIT, POT REPLACEMENT	1
36	140519	NUT, #10-24 KEP	2
37	230688	LEVER ARM, SPEED POT	1
38	230689	LINK, SPEED POT	1
39	140900	SCREW, #10-24X3/4 TRSPHL	2
40	41579	WASHER, #8 FLAT	4
41	140138	BUSHING, .19X.25X.14	2
42	32520	NUT, 1/4-20 HXJM	1
43	24672	SCREW, 1/4-20X3/4 HEXHD	1
44	230687	BRACKET, SPEED POT TUBE	1
45	140899	SCREW, #10-24X1-1/4 RNDHD	1
46	230671	HANDLE, TUBE	1
47	607509	HOUSING, CONTROL TEAL	1
48	140948	SCREW, #10-24X1/4 SET	1

● RECOMMENDED STOCK ITEMS / ARTICULOS RECOMENDADOS PARA MANTENER EN EXISTENCIA

LEVER GROUP  
CONJUNTO DE PALANCAS





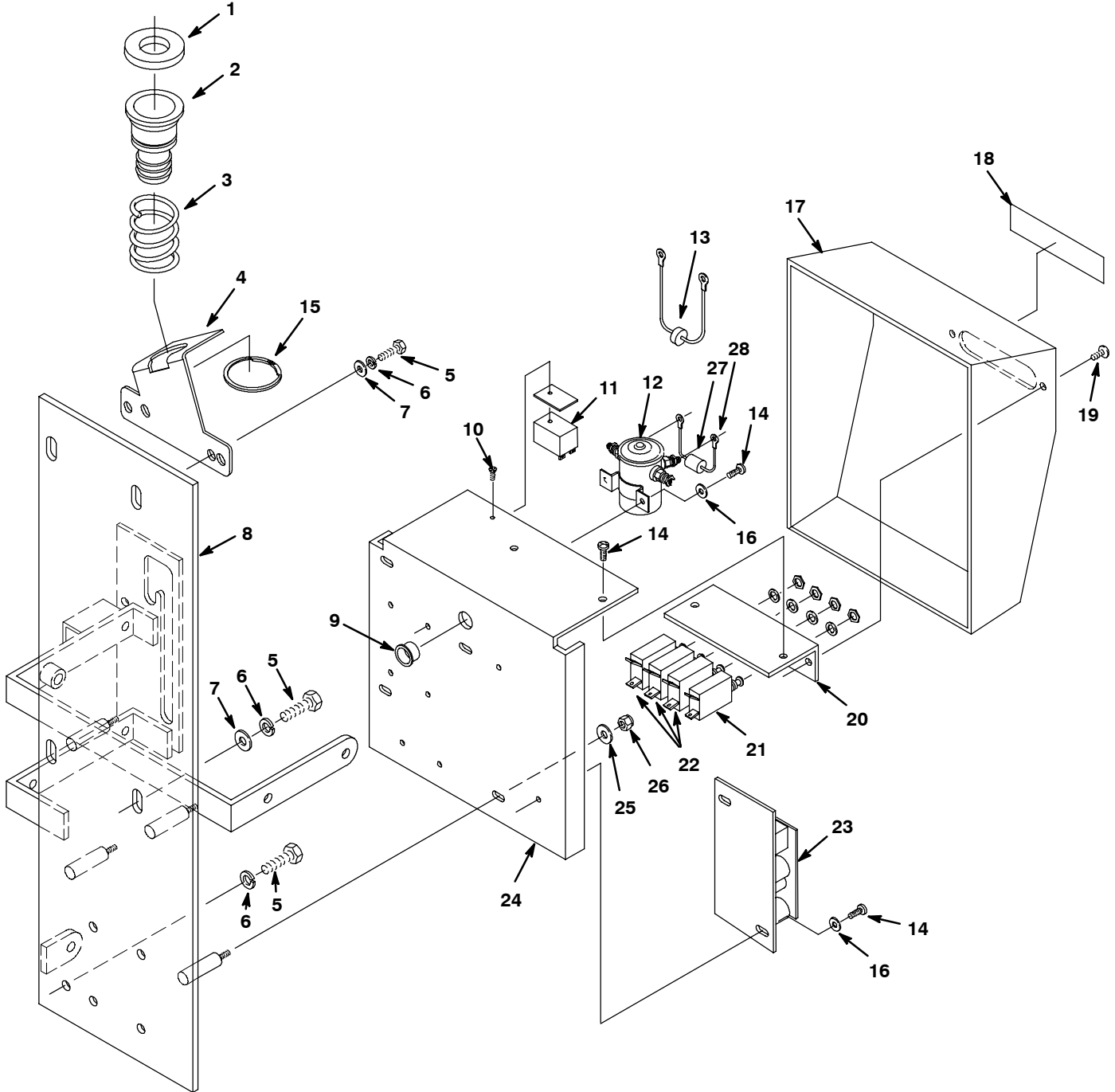
**LEVER GROUP**  
**CONJUNTO DE PALANCAS**

REF	PART #	DESCRIPTION	QTY.
1	200816	●GRIP, HANDLE 1/4X1X2-1/4	3
2	230680	HANDLE, VALVE HANDLE	1
3	69225	SCREW, 3/8-16X1 SS	2
4	140017	WASHER, 3/8 LOCK	2
5	140028	WASHER, 3/8 FLAT	4
6	140136	BUSHING, .38X.50X.28	1
7	140208	SCREW, 1/4-20X1 HEXHD	2
8	140016	WASHER, 1/4 LOCK	2
9	140000	WASHER, 0.28B, 0.62D, .04, FLAT	4
10	140134	SLEEVE, .376D, .253B, .28L	2
11	230656	LEVER, VALVE	1
12	32520	NUT, 1/4-20 HXJM	1
13	230661	PLATE, LOCK CONTROL HOUSING	1
14	611979	BRACKET, DRAIN HOSE HANGER	1
15	140027	WASHER, 5/16 FLAT	8
16	140015	WASHER, 5/16 LOCK	8
17	578237000	SCREW M8X1.25X18 HXHDCP	8
18	230654	HANDLE, BRUSH PRESSURE	1
19	140144	SLEEVE, .496D, .318B, .33L	1
20	140028	WASHER, 3/8 FLAT	9
21	140017	WASHER, 3/8 LOCK	5
22	2949.7	SCREW, 3/8-16X7/8 HEXHD	1
23	230631	SPACER, SQUEEGEE LIFT	1
24	230659	LATCH, SQUEEGEE HANDLE	1
25	200817	●GRIP, HANDLE .095X7/8X1-3/8	1
26	240208	●KNOB, HEIGHT ADJUSTMENT	1

REF	PART #	DESCRIPTION	QTY.
27	02994	SCREW, 3/8-16X3/4 HEXHD	3
28	230658	HANDLE, SQUEEGEE LEVER	1
29	140016	WASHER, 1/4 LOCK	1
30	01697	SCREW, 1/4-20X5/8 HEXHD	1
31	140231	SCREW, 3/8-16X1-1/2 HEXHD	1
32	230660	LINK, SQUEEGEE HANDLE	1
33	140136	BUSHING, .38X.50X.28	4
34	140133	BUSHING, SQUEEGEE MNT BRKT	4
35	230750	BRACKET, SQUEEGEE MOUNT	1
36	230297	PLATE, LOCK CONTROL HOUSING	1
37	59156	NUT, 3/8-16 NYLOCK	1
38	611982	WELDMENT, REAR PANEL	1
39	140237	SCREW, 1/2-13X1 HEXHD	1
40	140024	WASHER, 1/2 LOCK	1
41	140045	WASHER, 1/2 FLAT	2
42	140139	SLEEVE, .625D, .500B, .25L	1
43	230775	LATCH, BRUSH LIFT PEDAL	1
44	102560	PAD, NON-SLIP 1.62 SQ.	1
45	140136	BUSHING, .38X.50X.28 (INNER)	1
46	140145	SLEEVE, .625D, .50B, .25L (OUTER)	1
47	140423	SPRING, BRUSH PRESSURE	2
48	140525	NUT, 3/8-16 HEX	1
49	230944	BLOCK, VALVE STOP	1
50	230945	STUD, VALVE ADJUSTMENT STOP	1

● RECOMMENDED STOCK ITEMS / ARTICULOS RECOMENDADOS PARA MANTENER EN EXISTENCIA

ELECTRICAL PANEL GROUP  
CONJUNTO CONSOLA ELÉCTRICO



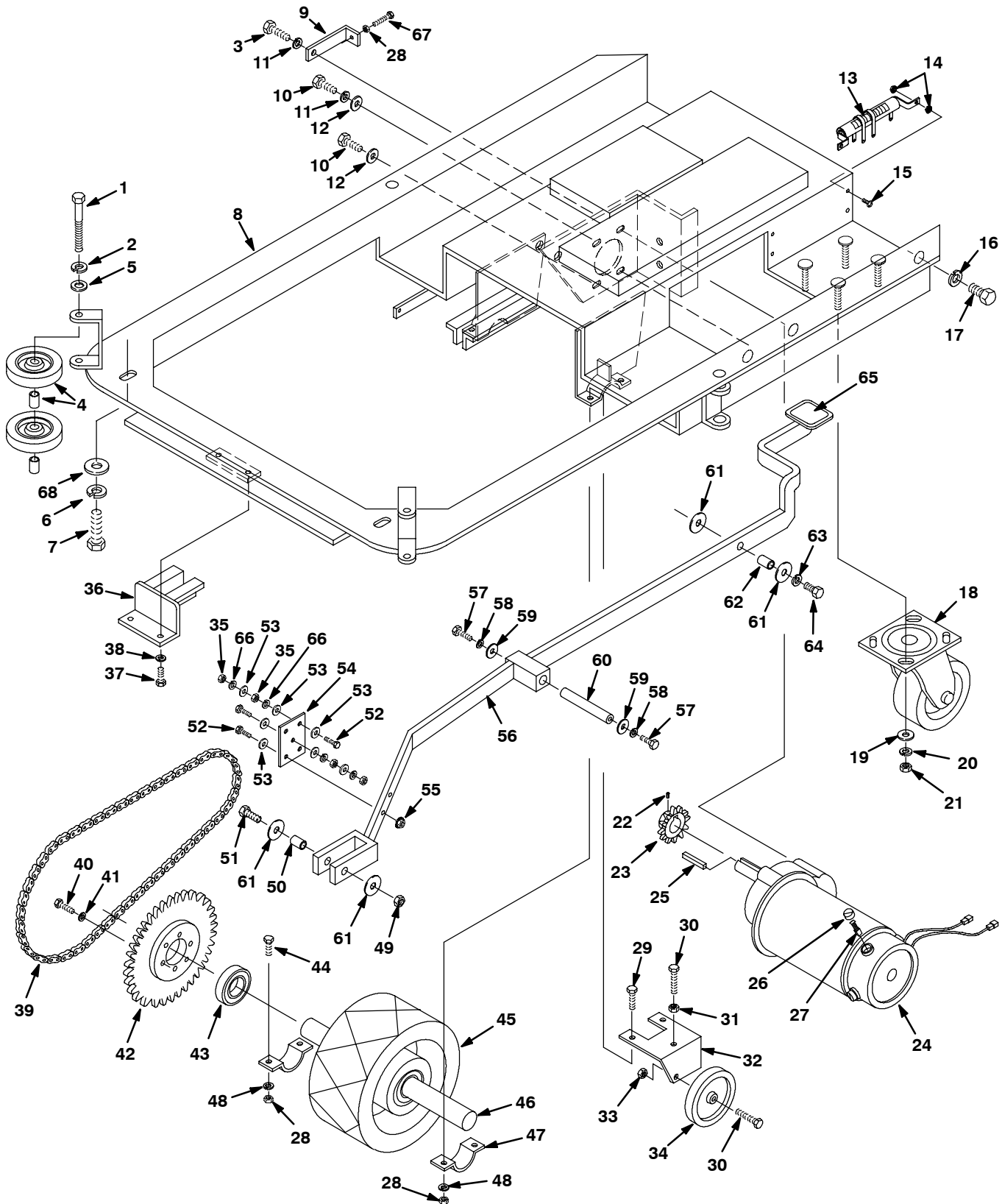
**ELECTRICAL PANEL GROUP**  
**CONJUNTO CONSOLA ELÉCTRICO**

REF	PART #	DESCRIPTION	QTY.
1	630010	GASKET, TUBE-ADAPTER	1
2	630011	TUBE, VAC TRANS	1
3	630267	SPRING, TUBE-ADAPTER	1
4	608706	BRACKET, VAC TRANS	1
5	578237000	SCREW M8X1.25X18 HXHDCP	5
6	140015	WASHER, 5/16 LOCK	5
7	140027	WASHER, 5/16 FLAT	4
8	611982	WELDMENT, REAR PANEL	1
9	130104	BUSHING, SNAP .88ID - BLACK	1
10	140565	SCREW, #4-40X3/8 FLTPHL	1
11	130021	●FLASHER, 24VDC	1
12	605905AM	●SOLENOID, 24VDC	3
13	604486	●DIODE ASSY, SPLICED	1

● RECOMMENDED STOCK ITEMS / ARTICULOS RECOMENDADOS PARA  
MANTENER EN EXISTENCIA

REF	PART #	DESCRIPTION	QTY.
14	140197	SCREW, #10-24X3/8 TRSPHL	10
15	630016	RING, RETAINING	1
16	19066	WASHER, #10 FLAT	8
17	611756	COVER, ELECTRICAL PANEL	1
18	600651	DECAL, CIRCUIT BREAKER CE	1
19	140197	SCREW, #10-24X3/8 TRSPHL	2
20	230553	BRACKET, CIRCUIT BREAKER	1
21	130755AM	●BREAKER, CIRCUIT 10A	1
22	130756	●BREAKER, CIRCUIT 35A	3
23	190959	●ASM, SPEED CONTROL	1
24	230552	PANEL, ELECTRICAL	1
25	140000	WASHER, 0.28B, 0.62D, .04, FLAT	4
26	08712	NUT, M6X1.0 NYLOCK	4
27	606404	●ASM, DIODE W/RING TERMINALS	3
28	281001009	TERMINAL, RING, #10 14-16	6

DRIVE WHEEL GROUP  
CONJUNTO RUEDA DE MANDO



## DRIVE WHEEL GROUP CONJUNTO RUEDA DE MANDO

REF	PART #	DESCRIPTION	QTY.
1	600349	SCREW, 5/16-18X2-3/4 HEXHD	2
2	140015	WASHER, 5/16 LOCK	2
3	611048	SCREW, 3/8-16X1-1/4 HEXHD	1
4	1014918	●WHEEL, RUBBER, 3"X1"	4
5	140027	WASHER, 5/16 FLAT	2
6	140333	WASHER, M10 LOCK	2
7	140276	SCREW, M10X1.5X16 HEXHD	2
8	1016124	CHASSIS, WELDMENT	1
9	230655	BRACKET, DRIVE MTR TENSION	1
10	69225	SCREW, 3/8-16X1 SS	3
11	140017	WASHER, 3/8 LOCK	3
12	140028	WASHER, 3/8 FLAT	3
13	130713	●RESISTOR, 100 WATT .9 OHM	2
14	140519	NUT, #10-24 KEP	8
15	140900	SCREW, #10-24X3/4 TRSPHL	4
16	140024	WASHER, 1/2 LOCK	3
17	09745	SCREW, M12X1.75X25 HEXHD	3
18	103002	●CASTER, 4" SWIVEL	2
19	140036	WASHER, 3/8 FLAT	8
20	140333	WASHER, M10 LOCK	8
21	140285	NUT, M10X1.5 HEX	8
22	140859	SCREW, 1/4-20X1/4 SET	1
23	240071	SPROCKET, DRIVE MOTOR #40-10	1
▽ 24	613422	●MOTOR, DRIVE, 24V, .5HP	1
▲ 25	140632	●KEY, 1/4X1/4X1"	1
▲ 26	613424	●CAP, CARBON BRUSH	4
▲ 27	130508	●CARBON BRUSH	4
28	140525	NUT, 3/8-16 HEX	5
29	611048	SCREW, 3/8-16X1-1/4 HEXHD	2
30	140233	SCREW, 3/8-16X1-3/4 HEXHD	2
31	140525	NUT, 3/8-16 HEX	1
32	230796	BRACKET, WHEEL SUPPORT	1
33	140525	NUT, 3/8-16 HEX	1
34	103007	●WHEEL, 4" X 1"	1

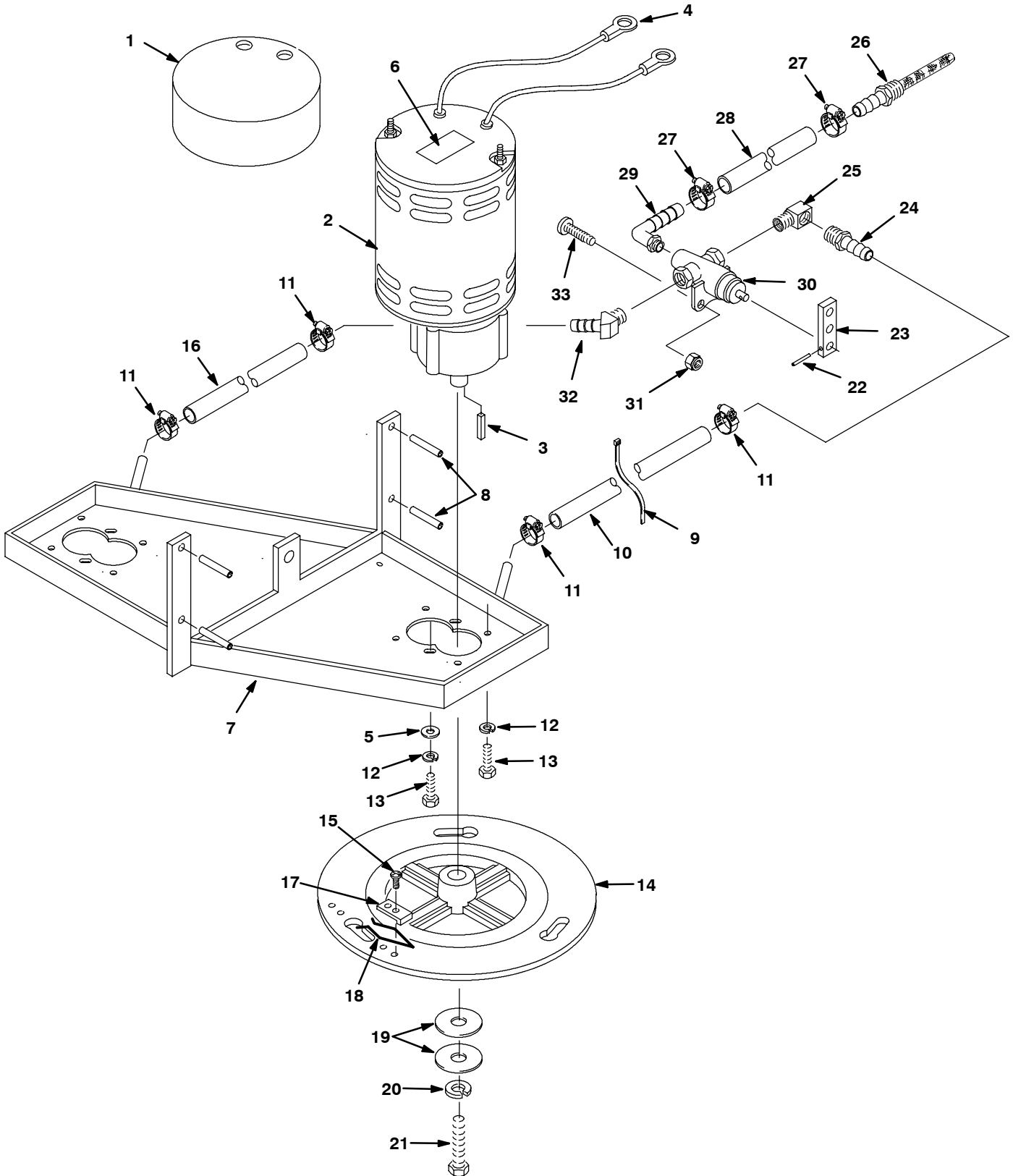
REF	PART #	DESCRIPTION	QTY.
35	140510	NUT, 1/4-20 HEXJAM	6
36	230941	BRACKET, FRONT LIFT GUIDE	1
37	140015	WASHER, 5/16 LOCK	2
38	15675	SCREW, M8X1.25X16 HEXHD	2
39	606426	●KIT, CHAIN & LINKS	1
40	02991	SCREW, 5/16-18X3/4 HEXHD	6
41	140015	WASHER, 5/16 LOCK	6
42	240070	SPROCKET, #40-39 DRIVE WHEEL	1
43	140124	BEARING	2
44	611048	SCREW, 3/8-16X1-1/4 HEXHD	2
45	103058	●WHEEL, 8" DRIVE	1
46	230205	SHAFT, DRIVE WHEEL	1
47	611980	CLAMP, AXLE	2
48	140017	WASHER, 3/8 LOCK	4
49	140509	NUT, 1/2-13 HEXJAM	1
50	604646	SLEEVE, .625D, .501B, .66L	1
51	140235	SCREW, 1/2-13X2 HEXHD	1
52	140208	SCREW, 1/4-20X1 HEXHD	5
53	140000	WASHER, 0.28B, 0.62D, .04, FLAT	8
54	230554	BOARD, CONNECTION	1
55	140524	NUT, 1/4-20 KEP	2
56	611396	PEDAL, LIFT, SCRUBHEAD	1
57	15678	SCREW, M6X1.0X16 HEXHD	2
58	140016	WASHER, 1/4 LOCK	2
59	140003	WASHER, 1/4X1 FENDER	2
60	230940	PIN, LIFT ARM PIVOT	1
61	140045	WASHER, 1/2 FLAT	4
62	140139	SLEEVE, .625D, .500B, .25L	1
63	140024	WASHER, 1/2 LOCK	1
64	140237	SCREW, 1/2-13X1 HEXHD	1
65	102560	PAD, NON-SLIP 1.62 SQ.	1
66	140016	WASHER, 1/4 LOCK	6
67	140231	SCREW, 3/8-16X1-1/2 HEXHD	1
68	140028	WASHER, 3/8 FLAT	2

▽ ASSEMBLY / CONJUNTO

▲ INCLUDED IN ASSEMBLY / INCLUIDO EN EL CONJUNTO

● RECOMMENDED STOCK ITEMS / ARTICULOS RECOMENDADOS PARA  
MANTENER EN EXISTENCIA

BRUSH DRIVE AND SOLUTION HOSE GROUP  
ACCIONAMIENTO DEL CEPILLO Y GRUPO DE MANGUERA DE SOLUCIÓN



**BRUSH DRIVE AND SOLUTION HOSE GROUP  
ACCIONAMIENTO DEL CEPILLO Y GRUPO DE MANGUERA DE SOLUCIÓN**

REF	PART #	DESCRIPTION	QTY.
1	100764	COVER, BRUSH MOTOR	2
▽ 2	130491	●MOTOR, W/GEARBOX 3/4HP IMP	2
▲	190970	●CARBON BRUSH	4
▲ 3	140632	●KEY, 1/4X1/4X1"	1
4	281001014	TERMINAL, RING	4
5	140028	WASHER, 3/8 FLAT	4
6	606243	TAPE, DOUBLE STICK	1
7	230691	BRACKET, BRUSH MOTOR MOUNT	1
8	140618	PIN, ROLL 1/4 X 1-1/2	4
9	130041	WIRE TIE	1
10	606248	HOSE, PVC, WIR, 0.38ID 0.62OD 17.0L	1
11	54333	CLAMP, HOSE 5/16-7/8	4
12	140017	WASHER, 3/8 LOCK	8
13	69225	SCREW, 3/8-16X1 SS	8
14	606335	PLATE, DRIVE	2
15	606915	SCREW, #10-16X3/8 HIGH-LOW	4
16	613440	HOSE, PVC, WIR, 0.38ID 0.62OD 9.0L, CLR	1
17	230651	CLAMP, BRUSH PLATE	2

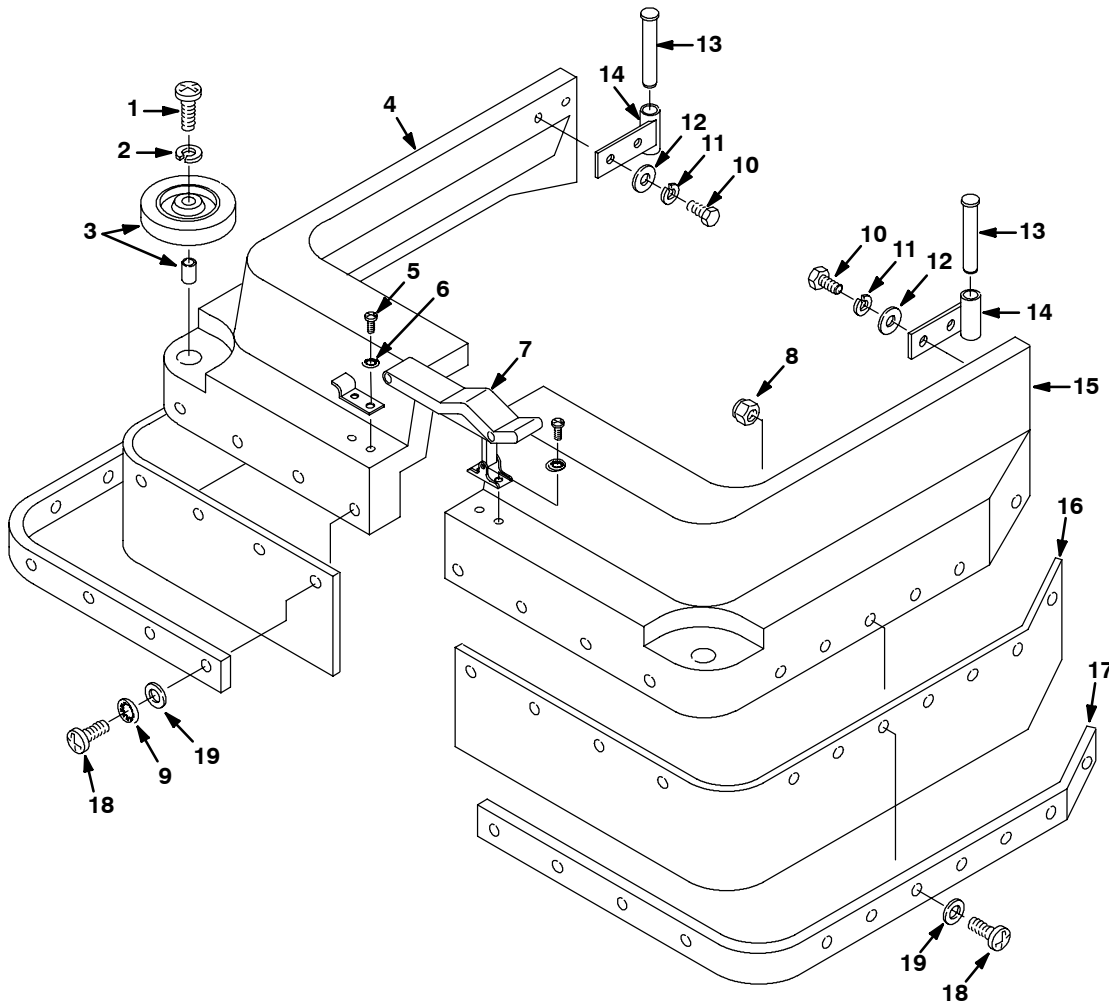
REF	PART #	DESCRIPTION	QTY.
18	140417	CLIP, SPRING	2
19	25732	WASHER, 1.25 X .359 X .093	4
20	140015	WASHER, 5/16 LOCK	2
21	140219	SCREW, 5/16-18X1 HEXHD	2
22	140616	PIN, ROLL 3/32DIAX5/8	1
23	230657	ARM, VALVE	1
24	150516	FITTING, STR, BM06/PF04	1
25	27048	FITTING, E90, PM04/PF04	1
26	180640	FILTER, SCREEN, 012 MESH	1
27	54333	CLAMP, HOSE 5/16-7/8	2
28	605098	HOSE, PVC, CLR, 0.62ID 0.88OD 13.6L	1
29	150409	FITTING, 1/4MX5/8H ELBOW 90	1
30	210259	●VALVE, BALL, 3-WAY, 05PF	1
31	140552	NUT, #10-24 NYLCK	2
32	605394	FITTING, E45, BM06/PM04	1
33	140895	SCREW, #10-24X3/4 RNDPHL	2

▽ ASSEMBLY / CONJUNTO

▲ INCLUDED IN ASSEMBLY / INCLUIDO EN EL CONJUNTO

● RECOMMENDED STOCK ITEMS / ARTICULOS RECOMENDADOS PARA  
MANTENER EN EXISTENCIA

**SKIRT GROUP - 5540 Model**  
**CONJUNTO JUEGO - Modelo 5540**



REF	PART #	DESCRIPTION	QTY.
▽	610975	ASSEMBLY, SKIRT, RIGHT SIDE, TEAL (5540)	1
▽	610976	ASSEMBLY, SKIRT, LEFT SIDE, TEAL (5540)	1
▲▲	1	SCREW, M8X1.25X40 PANPHL	1
▲▲	2	WASHER, 5/16 LOCK	1
▲▲	3	●WHEEL, RUBBER, 3"X1"	1
▲	4	SKIRT, RIGHT SIDE, TEAL	1
▲▲	5	SCREW, M4X0.7X8 PANPHL	2
▲▲	6	WASHER, #8 LOCK	2
▲	7	●LATCH, HOOD W/KEEPER	1

REF	PART #	DESCRIPTION	QTY.
▲▲	8	NUT, M5X0.8 NYLOCK	3
▲▲	9	WASHER, #10 LOCK	6
▲▲	10	SCREW M8X1.25X18 HXHDCP	2
▲▲	11	WASHER, 5/16 LOCK	2
▲▲	12	WASHER, 5/16 FLAT	2
	13	●PIN, SKIRT	2
▲▲	14	BRACKET, MOUNTING, SKIRT	1
▲	15	SKIRT, LEFT SIDE, TEAL (5540)	1
▲▲	16	SPLASH GUARD (5540)	1
▲▲	17	STRAP, SPLASH GUARD (5540)	1
▲▲	18	SCREW, M5X0.8X16 PANPHL	11
▲▲	19	WASHER, 3/16 FLAT	11

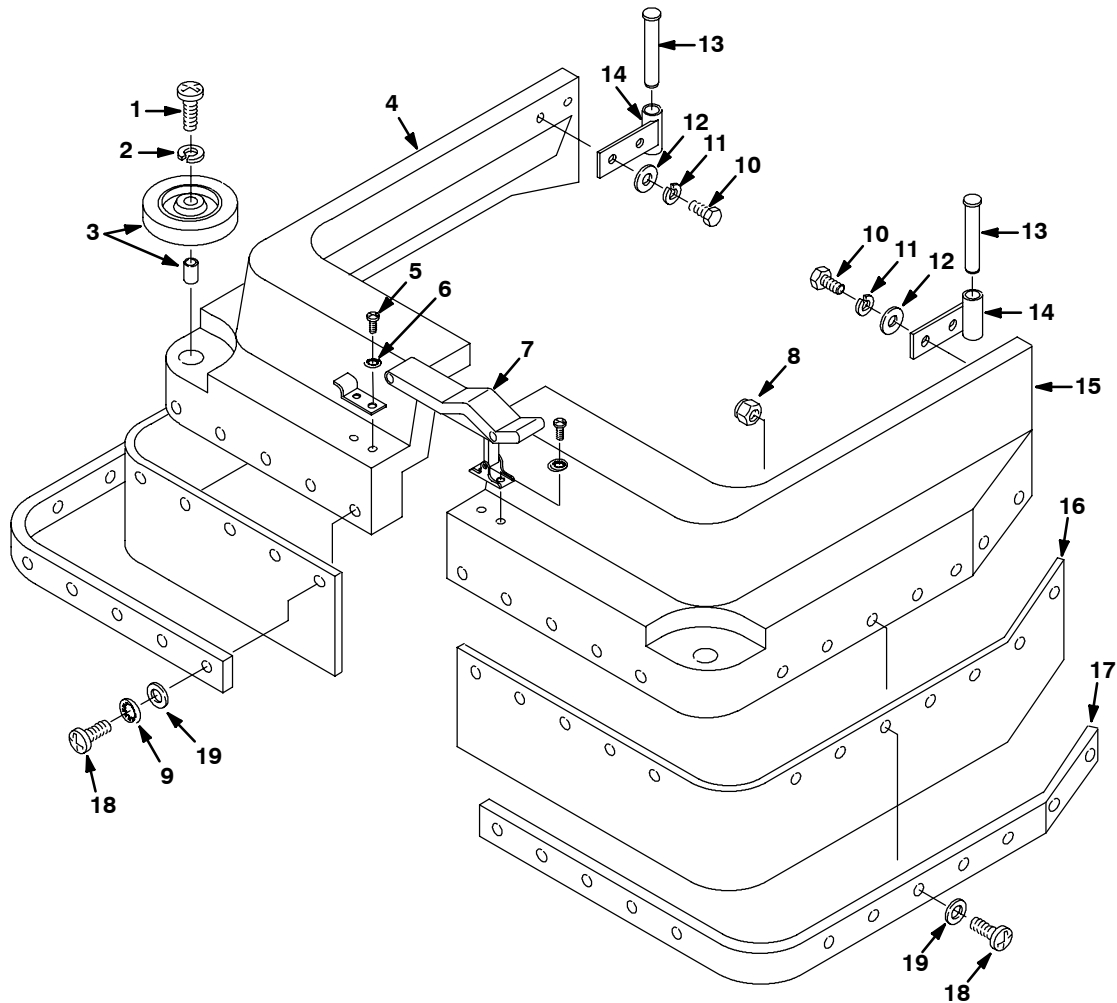
▽ ASSEMBLY / CONJUNTO

▲ INCLUDED IN ASSEMBLY / INCLUIDO EN EL CONJUNTO

● RECOMMENDED STOCK ITEMS / ARTICULOS RECOMENDADOS PARA MANTENER EN EXISTENCIA



SKIRT GROUP - 5560 Model  
CONJUNTO JUEGO - Modelo 5560



REF	PART #	DESCRIPTION	QTY.
▽	610977	ASSEMBLY, SKIRT, RIGHT SIDE, TEAL (5560)	1
▽	610978	ASSEMBLY, SKIRT, LEFT SIDE, TEAL (5560)	1
▲▲	1	SCREW, M8X1.25X40 PANPHL	1
▲▲	2	WASHER, 5/16 LOCK	1
▲▲	3	●WHEEL, RUBBER, 3"X1"	1
▲	4	SKIRT, RIGHT SIDE, TEAL (5560)	1
▲▲	5	SCREW, M4X0.7X8 PANPHL	2
▲▲	6	WASHER, #8 LOCK	2
▲	7	●LATCH, HOOD W/KEEPER	1

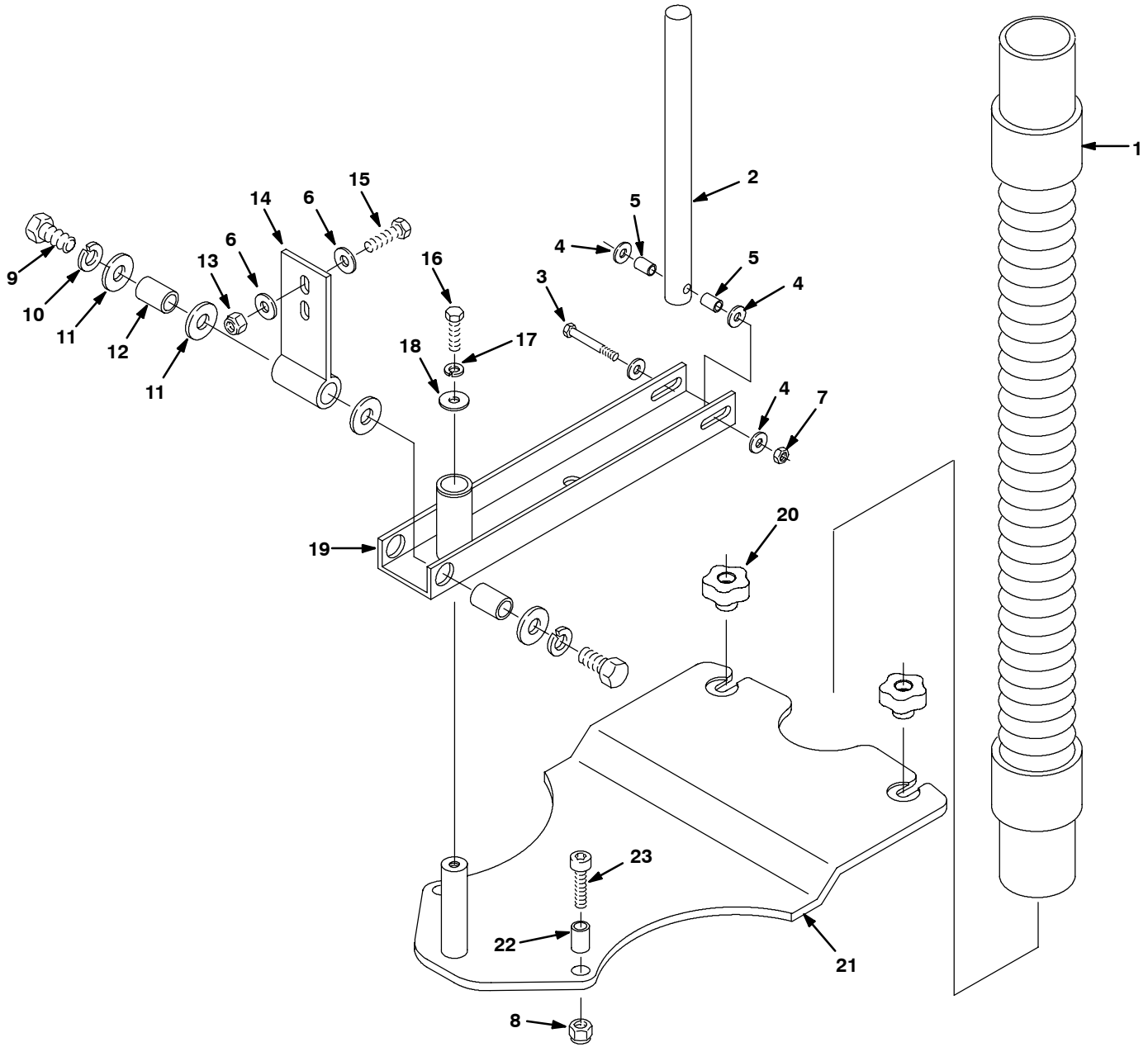
REF	PART #	DESCRIPTION	QTY.
▲▲	8	NUT, M5X0.8 NYLOCK	6
▲▲	9	WASHER, #10 LOCK	8
▲▲	10	SCREW M8X1.25X18 HXHDCP	2
▲▲	11	WASHER, 5/16 LOCK	2
▲▲	12	WASHER, 5/16 FLAT	2
	13	●PIN, SKIRT	2
▲▲	14	BRACKET, MOUNTING, SKIRT	1
▲	15	SKIRT, LEFT SIDE, TEAL (5560)	1
▲▲	16	SPLASH GUARD (5560)	1
▲▲	17	STRAP, SPLASH GUARD (5560)	1
▲▲	18	SCREW, M5X0.8X16 PANPHL	12
▲▲	19	WASHER, 3/16 FLAT	12

▽ ASSEMBLY / CONJUNTO

▲ INCLUDED IN ASSEMBLY / INCLUIDO EN EL CONJUNTO

● RECOMMENDED STOCK ITEMS / ARTICULOS RECOMENDADOS PARA MANTENER EN EXISTENCIA

SQUEEGEE CONTROL GROUP  
GRUPO DE CONTROL DE LA ESCOBILLA DE GOMA



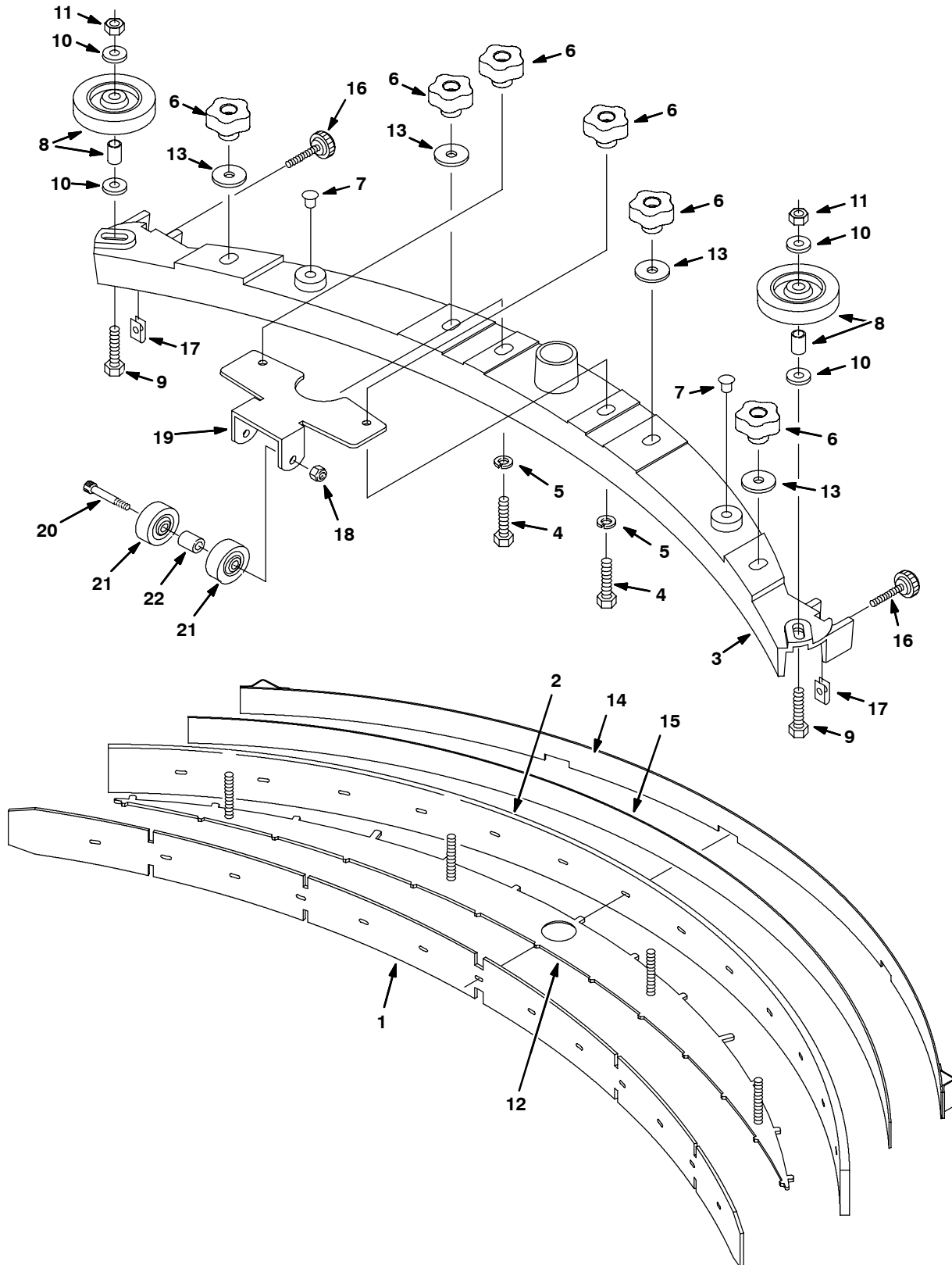
**SQUEEGEE CONTROL GROUP**  
**GRUPO DE CONTROL DE LA ESCOBILLA DE GOMA**

REF	PART #	DESCRIPTION	QTY.
1	1015921	●HOSE, VAC 1.5ID X 43.0L, 2CUFF	1
2	230441	SHAFT, LIFT	1
3	140209	SCREW, 1/4-20X2-1/2 HEXHD	1
4	140000	WASHER, 0.28B, 0.62D, .04, FLAT	4
5	605422	BEARING SLEEVE	2
6	140027	WASHER, 5/16 FLAT	4
7	41169	NUT, 1/4-20 NYLK	1
8	08714	NUT, M10X1.5 HEXLK	2
9	140237	SCREW, 1/2-13X1 HEXHD	2
10	140024	WASHER, 1/2 LOCK	2
11	3148.816	WASHER, 1/2 FLAT	4
12	140139	SLEEVE, .625D, .500B, .25L	2

REF	PART #	DESCRIPTION	QTY.
13	140546	NUT, 5/16-18 NYLCK	2
14	611777	BRACKET, SQUEEGEE PIVOT	1
15	140219	SCREW, 5/16-18X1 HEXHD	2
16	01697	SCREW, 1/4-20X5/8 HEXHD	1
17	140016	WASHER, 1/4 LOCK	1
18	140003	WASHER, 1/4 X 1 FENDER	1
19	230440.BK	BRACKET, SQUEEGEE PIVOT	1
20	1011094	●KNOB	2
21	611397	BRACKET, MOUNT, SQUEEGEE	1
22	390879	SLEEVE, .625D, .406B, .38L	2
23	611476	SCREW, M10X1.5X30, SHCS	2

- RECOMMENDED STOCK ITEMS / ARTICULOS RECOMENDADOS PARA MANTENER EN EXISTENCIA

CURVED SQUEEGEE GROUP - 5540 Model  
CONJUNTO PALETA ENCORUADO - Modelo 5540



**CURVED SQUEEGEE GROUP - 5540 Model**  
**CONJUNTO PALETA ENCORUADO - Modelo 5540**

REF	PART #	DESCRIPTION	QTY.
▽	613953	ASM, SQUEEGEE - 5540	1
	611884	SQUEEGEE KIT, REPLMT (RETROFIT) 965MM (38 IN) (BEFORE SN 10030646)	1
▽	609114	●KIT, SQUEEGEE BLADES, LINATEX & GUM RUBBER 965MM (38 IN)	1
▲ 1	222381	●BLADE, FRONT SQUEEGEE, LINATEX RED 965MM (38 IN)	1
▲ 2	609056	●BLADE, REAR SQUEEGEE GUM RUBBER TAN 965MM (38 IN)	1
▽	609115	●KIT, SQUEEGEE BLADES, LINATEX 965MM (38 IN)	1
▲▲ 1	222381	●BLADE, FRONT SQUEEGEE, LINATEX RED 965MM (38 IN)	1
▲▲ 2	609055	●BLADE, REAR SQUEEGEE LINATEX RED 940MM (37 IN)	1
1	222391	●BLADE, FRONT SQUEEGEE URETHANE WHITE 965MM (38 IN)	1
	222385	●BLADE, FRONT SQUEEGEE GUM RUBBER TAN 965MM (38 IN)	1
2	611713	●BLADE, REAR SQUEEGEE URETHANE WHITE 965MM (38 IN)	1
	609056	●BLADE, REAR SQUEEGEE GUM RUBBER TAN 965MM (38 IN)	1

REF	PART #	DESCRIPTION	QTY.
▲ 3	611661	CASTING, SQUEEGEE	1
▲ 4	140799	SCREW, 5/16-18X1-1/2 TRSPHL	2
▲ 5	140015	WASHER, 5/16 LOCK	2
▲ 6	1011094	●KNOB	6
▲ 7	130164	PLUG, DOME 3/8"	2
▲ 8	1014918	●WHEEL, RUBBER, 3"X1"	2
▲ 9	222505	SCREW, M8X1.25X45 HEXHD	2
▲ 10	140027	WASHER, 5/16 FLAT	4
▲ 11	08709	NUT, M8 HEXLCK	2
▲ 12	222368	PLATE, BLADE RETAINER	1
▲ 13	140055	WASHER, .343X1.25X.051-.080	4
▲ 14	222378	BAND WELDMENT, SQUEEGEE BLADE	1
▲ 15	609110	SPACER, SQUEEGEE *	1
▲ 16	222794	●KNOB, 1/4-20X1-1/2	2
▲ 17	82138	NUT, SPEED RETAINER .25-20	2
▲ 18	601108000	NUT, 5/16-18 HEXLCK THIN	1
▲ 19	611399	BRACKET, ROLLER, SQUEEGEE	1
▲ 20	603144	SCREW, 5/16-18 SHOULDER	1
▲ 21	630477	WHEEL, 2.00D X .38W	2
▲ 22	603368	SPACER, .39X.75X.75 NYLON	1

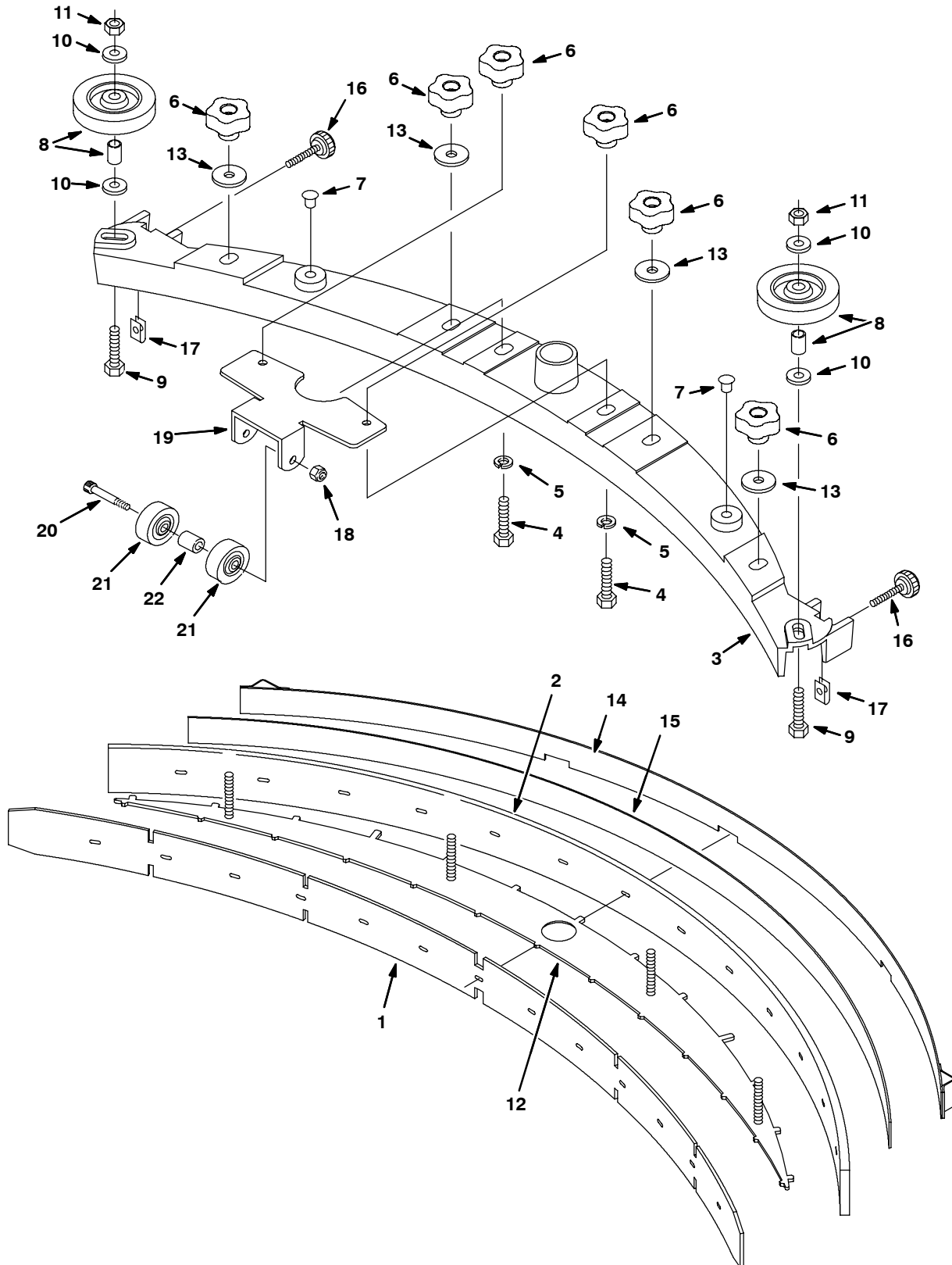
▽ ASSEMBLY / CONJUNTO

▲ INCLUDED IN ASSEMBLY / INCLUIDO EN EL CONJUNTO

● RECOMMENDED STOCK ITEMS / ARTICULOS RECOMENDADOS PARA MANTENER EN EXISTENCIA

\* NOTE: TWO SQUEEGEE SPACERS ARE REQUIRED WITH REAR URETHANE BLADE #611713 / SE REQUIEREN DOS SEPARADORES DE ESCOBILLA CON LA HOJA DE URETANO #611713.

CURVED SQUEEGEE GROUP - 5560 Model  
CONJUNTO PALETA ENCORUADO - Modelo 5560



**CURVED SQUEEGEE GROUP - 5560 Model**  
**CONJUNTO PALETA ENCORUADO - Modelo 5560**

REF	PART #	DESCRIPTION	QTY.
▽	613954	ASM, SQUEEGEE - 5560	1
	611886	SQUEEGEE KIT, REPLMT (RETROFIT) 1067MM (42 IN) (BEFORE SN 10030646)	1
▲ 1	222241	●BLADE, FRONT SQUEEGEE, LINATEX RED 1067MM (42 IN)	1
▲ 2	611402	●BLADE, REAR SQUEEGEE LINATEX RED 1067MM (42 IN)	1
1	222392	●BLADE, FRONT SQUEEGEE URETHANE WHITE 1067MM (42 IN)	1
	222384	●BLADE, FRONT SQUEEGEE GUM RUBBER TAN 1067MM (42 IN)	1
2	611457	●BLADE, REAR SQUEEGEE URETHANE WHITE 1067MM (42 IN)	1
	611405	●BLADE, REAR SQUEEGEE GUM RUBBER TAN 1067MM (42 IN)	1

▽ ASSEMBLY / CONJUNTO

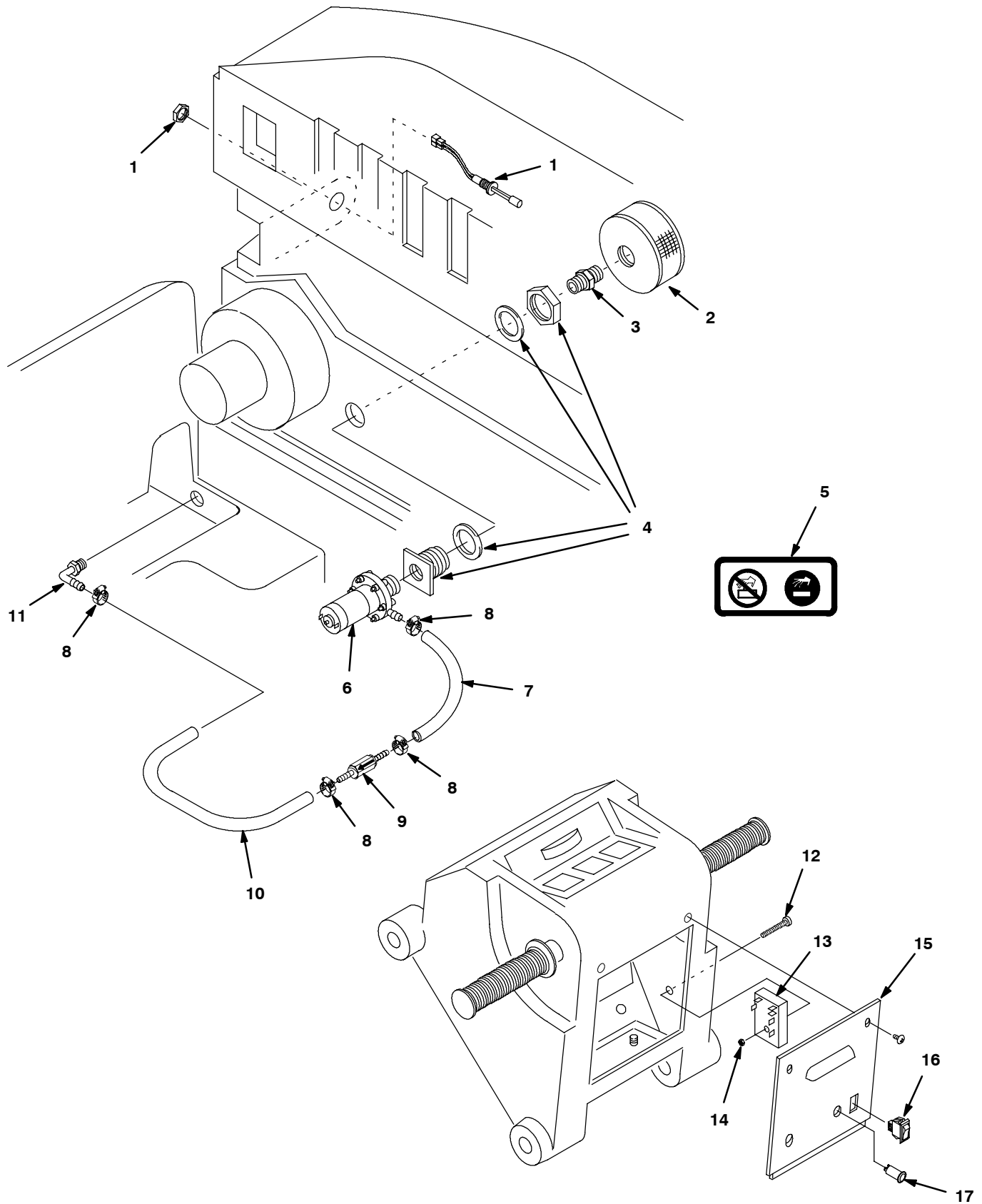
▲ INCLUDED IN ASSEMBLY / INCLUIDO EN EL CONJUNTO

● RECOMMENDED STOCK ITEMS / ARTICULOS RECOMENDADOS PARA MANTENER EN EXISTENCIA

\* NOTE: TWO SQUEEGEE SPACERS ARE REQUIRED WITH REAR URETHANE BLADE #611457 / SE REQUIEREN DOS SEPARADORES DE ESCOBILLA CON LA HOJA DE URETANO #611457.

REF	PART #	DESCRIPTION	QTY.
▲ 3	611401	CASTING, SQUEEGEE	1
▲ 4	140799	SCREW, 5/16-18X1-1/2 TRSPHL	2
▲ 5	140015	WASHER, 5/16 LOCK	2
▲ 6	1011094	●KNOB	6
▲ 7	130164	PLUG, DOME 3/8"	2
▲ 8	1014918	●WHEEL, RUBBER, 3"X1"	2
▲ 9	222505	SCREW, M8X1.25X45 HEXHD	2
▲ 10	140027	WASHER, 5/16 FLAT	4
▲ 11	08709	NUT, M8 HEXLCK	2
▲ 12	222240	PLATE, BLADE RETAINER	1
▲ 13	140055	WASHER, .343X1.25X.051-.080	4
▲ 14	222243	BAND WELDMENT, SQUEEGEE BLADE	1
▲ 15	611398	SPACER, SQUEEGEE *	1
▲ 16	222794	●KNOB, 1/4-20X1-1/2	2
▲ 17	82138	NUT, SPEED RETAINER .25-20	2
▲ 18	601108000	NUT, 5/16-18 HEXLCK THIN	1
▲ 19	611399	BRACKET, ROLLER, SQUEEGEE	1
▲ 20	603144	SCREW, 5/16-18 SHOULDER	1
▲ 21	630477	WHEEL, 2.00D X .38W	2
▲ 22	603368	SPACER, .39X.75X.75 NYLON	1

ES (EXTENDED SCRUB) KIT  
ES (FREGADO PROLONGADO) JUEGO





**ES (EXTENDED SCRUB) KIT  
ES (FREGADO PROLONGADO) JUEGO**

REF	PART #	DESCRIPTION	QTY.
∇	605555	KIT, ES (EXTENDED SCRUB)	1
▲ 1	603166	SENSOR, LEVEL, LIQUID	1
▲ 2	630138	FILTER, SCREEN, 100-MESH	1
▲ 3	630385	FITTING, STR, PM12/PM12	1
▲ 4	601490	FITTING, 3/4NPT BULKHEAD	1
▲ 5	630440	DECAL, FILTER REMOVE	1
▲ 6	630136	PUMP, SOLUTION 24VDC	1
▲ 7	560497	HOSE, PVC, BRD, 0.38ID 0.60OD 6.0L, CLR	1
▲ 8	54333	CLAMP, HOSE, 0.31-0.88D	4
▲ 9	210044	VALVE, CHECK, 1PSI 06BM/06BM	1

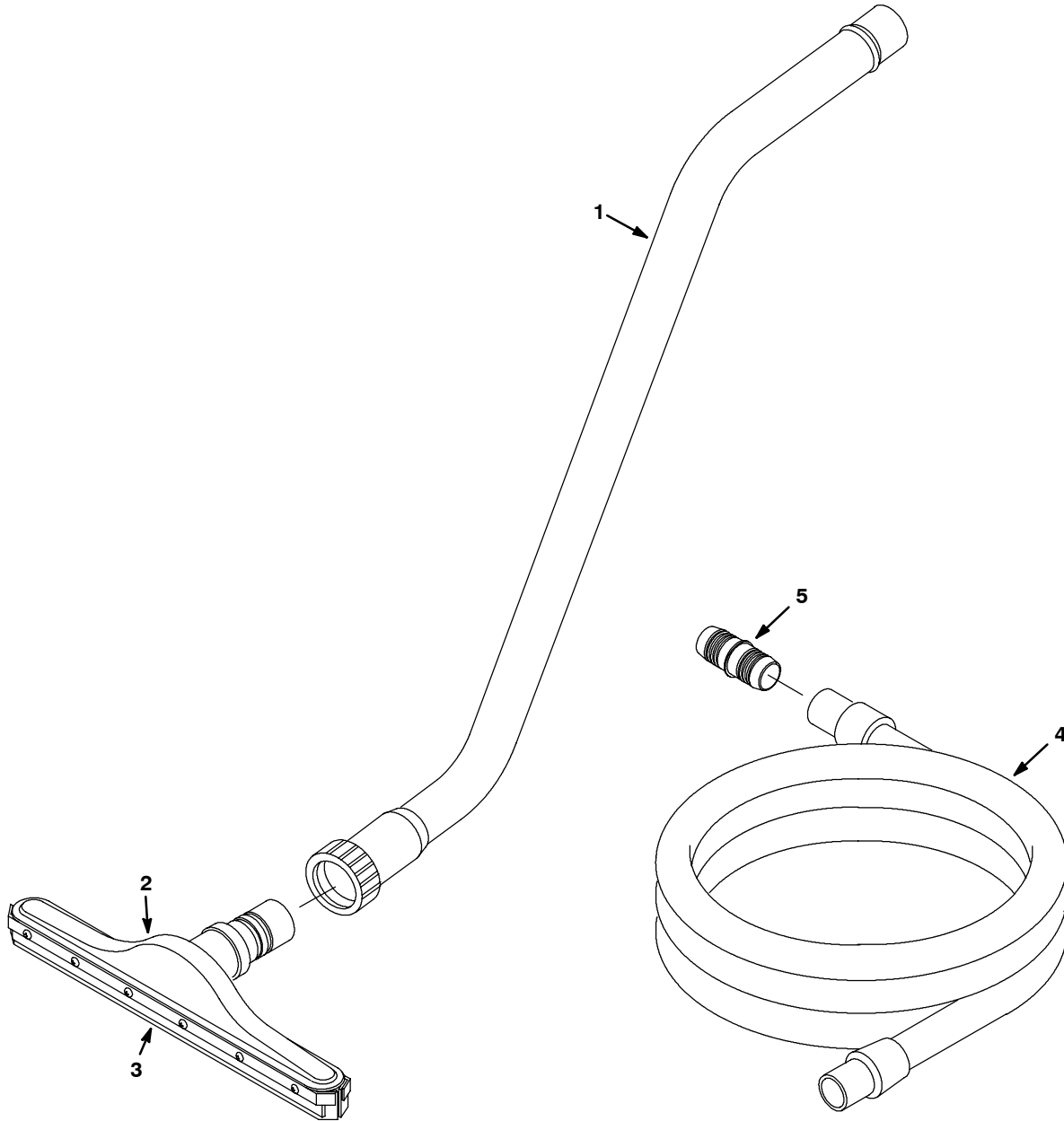
REF	PART #	DESCRIPTION	QTY.
▲ 10	607103	HOSE, PVC, BRD, 0.38ID 0.60OD 15.0L, CLR	1
▲ 11	150415	FITTING, E90, PM04/BM06	1
▲ 12	578008000	SCREW, M5X0.8X30 PANPHL	1
▲ 13	630145	●TIMER, 24VDC, RANGE: 30SEC	1
▲ 14	09739	NUT, M5X.08 NYLOCK	1
15	606276	COVER, CONTROL PANEL	1
▲ 16	630419	●SWITCH, ROCKER	1
▲ 17	130738	●LIGHT, INDICATOR GREEN	1
▲N/S	605551	HARNESS, WIRE ES	1

∇ ASSEMBLY / CONJUNTO

▲ INCLUDED IN ASSEMBLY / INCLUIDO EN EL CONJUNTO

● RECOMMENDED STOCK ITEMS / ARTICULOS RECOMENDADOS PARA  
MANTENER EN EXISTENCIA

**WET PICK-UP TOOL KIT  
KIT DE HERRAMIENTA MOJADO**



REF	PART #	DESCRIPTION	QTY.
▽	190928	●KIT, WET PICK-UP	1
▲▽ 1	6108.1	●WAND, TWO BEND ALUMINUM	1
▲	605257	●RING, LOCK	1
▲	600828	●NUT, WAND COUPLING	1
▲▽ 2	13840	●SQUEEGEE ASSEMBLY, PUSH/PULL, 355 MM (14 IN)	1
▲ 3	605137	●BLADES, REPLACEMENT (SET/4)	1

REF	PART #	DESCRIPTION	QTY.
▲ 4	160481	●HOSE, VAC, 1-1/2X3 M (10 FT)	1
▲ 5	160451	●CONNECTOR, 1-1/2 VAC HOSE	1

▽ ASSEMBLY / CONJUNTO

▲ INCLUDED IN ASSEMBLY / INCLUIDO EN EL CONJUNTO

● RECOMMENDED STOCK ITEMS / ARTICULOS RECOMENDADOS PARA MANTENER EN EXISTENCIA